

2



3

**Document Number: DSP1117**

4

**Date: 2013-04-04**

5

**Version: 1.0.0b**

6

## Management Initiative Registration Profile

7

9

IMPORTANT: This specification is not a standard. It does not necessarily reflect the views of the DMTF or all of its members. Because this document is a Work in Progress, this specification may still change, perhaps profoundly. This document is available for public review and comment until the stated expiration date.

10

This document expires on: **2013-09-30**.

11

Target version for DMTF Standard: **1.0.0**.

12

Provide any comments through the DMTF Feedback Portal: <http://www.dmtf.org/standards/feedback>

13

**Document Type: Specification**

14

**Document Status: Work in Progress**

15

**Document Language: en-US**

16

## Copyright notice

Copyright © 2012-2013 Distributed Management Task Force, Inc. (DMTF). All rights reserved.

- 17 DMTF is a not-for-profit association of industry members dedicated to promoting enterprise and systems management and interoperability. Members and non-members may reproduce DMTF specifications and documents, provided that correct attribution is given. As DMTF specifications may be revised from time to time, the particular version and release date should always be noted.
- 18 Implementation of certain elements of this standard or proposed standard may be subject to third party patent rights, including provisional patent rights (herein "patent rights"). DMTF makes no representations to users of the standard as to the existence of such rights, and is not responsible to recognize, disclose, or identify any or all such third party patent right, owners or claimants, nor for any incomplete or inaccurate identification or disclosure of such rights, owners or claimants. DMTF shall have no liability to any party, in any manner or circumstance, under any legal theory whatsoever, for failure to recognize, disclose, or identify any such third party patent rights, or for such party's reliance on the standard or incorporation thereof in its product, protocols or testing procedures. DMTF shall have no liability to any party implementing such standard, whether such implementation is foreseeable or not, nor to any patent owner or claimant, and shall have no liability or responsibility for costs or losses incurred if a standard is withdrawn or modified after publication, and shall be indemnified and held harmless by any party implementing the standard from any and all claims of infringement by a patent owner for such implementations.
- 19 For information about patents held by third-parties which have notified the DMTF that, in their opinion, such patent may relate to or impact implementations of DMTF standards, visit <http://www.dmtf.org/about/policies/disclosures.php>.

20

## CONTENTS

1	Scope .....	6
2	Normative references .....	6
3	Terms and definitions .....	6
3.1	General .....	6
4	Symbols and abbreviated terms .....	7
4.1	General .....	7
5	Synopsis .....	7
6	Description .....	9
7	Implementation .....	10
7.1	Features .....	10
7.1.1	Feature: InitiativeProfiles .....	10
7.2	Adaptations .....	10
7.2.1	Conventions .....	10
7.2.2	Adaptation: RegisteredProfile: CIM_RegisteredProfile .....	11
7.2.3	Adaptation: RegisteredInitiative: CIM_RegisteredSpecification .....	12
7.2.4	Adaptation: InitiativeProfile: CIM_RegisteredProfile .....	13
7.2.5	Adaptation: ReferencedInitiativeProfile: CIM_ReferencedSpecification .....	14
8	Use cases and state descriptions .....	15
8.1	State description: SimpleObjectDiagram .....	15
8.2	Use case: DetermineAllInitiatives .....	16
8.3	Use case: DetermineInitiativesOfProfile .....	17
8.4	Use case: DetermineProfilesOfInitiative .....	17
8.5	State description: DerivedProfileObjectDiagram .....	17

21	<b>Figures</b>	
	Figure 1 – DMTF adaptation diagram .....	9
	Figure 2 – Simple object diagram .....	16
	Figure 3 – Derived profile object diagram .....	18

22	<b>Tables</b>	
	Table 1 – Profile references .....	8
	Table 2 – Features .....	8
	Table 3 – Adaptations .....	8
	Table 4 – Use cases and state descriptions .....	8
	Table 5 – RegisteredProfile: Element requirements .....	11
	Table 6 – RegisteredInitiative: Element requirements .....	12
	Table 7 – InitiativeProfile: Element requirements .....	14
	Table 8 – ReferencedInitiativeProfile: Element requirements .....	14
	Table 9 – Change log .....	19

## Foreword

This document was prepared by the DMTF Architecture Working Group

24 DMTF is a not-for-profit association of industry members dedicated to promoting enterprise and systems  
management and interoperability. For information about the DMTF, see <http://www.dmtf.org>.

### 25 **Acknowledgements**

26 DMTF acknowledges the following individuals for their contributions to this document:

- 27 • Andreas Maier, IBM (Editor)
- 28 • Jim Davis, WBEM Solutions
- 29 • Michael Johanssen, IBM
- 30 • Rick Landau, Dell
- 31 • Mike Walker, SNIA

32

## Introduction

33 This document defines the CIM model for advertising and discovering conformance of an implementation  
to one or more management initiatives. The information in this document is intended to be sufficient for a  
provider or consumer of this data to identify unambiguously the classes, properties, methods, and values  
that need to be instantiated and manipulated.

34 The target audience for this specification is implementers who are writing CIM-based providers or  
consumers of management interfaces that represent the components described in this document.

### 35 **Document conventions**

#### 36 **Typographical conventions**

37 The following typographical conventions are used in this document:

- 38 • Document titles are marked in *italics*.
- 39 • Important terms that are used for the first time are marked in *italics*.
- 40 • Terms include a link to the term definition in the "Terms and definitions" clause, enabling easy  
navigation to the term definition.

#### 41 **OCL usage conventions**

42 Constraints in this document are specified using OCL (see [OCL 2.0](#)).

43 OCL statements are in `monospaced font`.

44

# Management Initiative Registration Profile

45

## 1 Scope

46 The Management Initiative Registration profile is an autonomous profile that provides for advertising and  
47 discovering conformance of an implementation to management initiatives, and optionally to the  
management profiles of the advertised initiatives.

47

## 2 Normative references

48 The following referenced documents are indispensable for the application of this document. For dated or  
versioned references, only the edition cited (including any corrigenda or DMTF update versions) applies.  
For references without a date or version, the latest published edition of the referenced document  
(including any corrigenda or DMTF update versions) applies.

49 DMTF DSP0004, *CIM Infrastructure Specification 2.7*,  
[http://www.dmtf.org/standards/published\\_documents/DSP0004\\_2.7.pdf](http://www.dmtf.org/standards/published_documents/DSP0004_2.7.pdf)

50 DMTF DSP0223, *Generic Operations 1.0*,  
[http://www.dmtf.org/standards/published\\_documents/DSP0223\\_1.0.pdf](http://www.dmtf.org/standards/published_documents/DSP0223_1.0.pdf)

51 DMTF DSP1001, *Management Profile Specification Usage Guide 1.1*,  
[http://www.dmtf.org/standards/published\\_documents/DSP1001\\_1.1.pdf](http://www.dmtf.org/standards/published_documents/DSP1001_1.1.pdf)

52 DMTF DSP1033, *Profile Registration Profile 1.1*,  
[http://www.dmtf.org/standards/published\\_documents/DSP1033\\_1.1.pdf](http://www.dmtf.org/standards/published_documents/DSP1033_1.1.pdf)

53 OMG formal/06-05-01, *Object Constraint Language 2.0*,  
<http://www.omg.org/spec/OCL/2.0/>

54 ISO/IEC Directives, Part 2, *Rules for the structure and drafting of International Standards*,  
<http://isotc.iso.org/livelink/livelink?func=ll&objId=4230456&objAction=browse&sort=subtype>

55

## 3 Terms and definitions

56 In this document, some terms have a specific meaning beyond the normal English meaning. Those terms  
are defined in this clause.

57

### 3.1 General

58 The terms "shall" ("required"), "shall not", "should" ("recommended"), "should not" ("not recommended"),  
"may", "need not" ("not required"), "can" and "cannot" in this document are to be interpreted as described  
in [ISO/IEC Directives, Part2](#), Annex H. The terms in parenthesis are alternatives for the preceding term,  
for use in exceptional cases when the preceding term cannot be used for linguistic reasons. Note that  
[ISO/IEC Directives, Part2](#), Annex H specifies additional alternatives. Occurrences of such additional  
alternatives shall be interpreted in their normal English meaning in this document.

59 The terms "clause", "subclause", "paragraph", "annex" in this document are to be interpreted as described  
in [ISO/IEC Directives, Part2](#), Clause 5.

60

The terms "normative" and "informative" in this document are to be interpreted as described in [ISO/IEC Directives, Part2](#), Clause 3. In this document, clauses, subclauses or annexes indicated with "(informative)" as well as notes and examples do not contain normative content.

The terms defined in [DSP0004](#), [DSP0223](#), and [DSP1001](#) apply to this document.

61 The following additional terms are defined in this document.

## 62 **3.2**

### 63 **initiative, management initiative**

64 A named and versioned amount of management functionality with conformance requirements. The conformance requirements for implementing a management initiative are described in an initiative specification, based on management profiles and other specifications. Initiatives may be defined by DMTF, other standards organizations, or vendors. An example for a management initiative defined by DMTF is DASH.

## 65 **3.3**

### 66 **initiative specification**

67 A specification defining conformance requirements for implementing an initiative. Also called "initiative wrapper specification". An example for an initiative specification is [DSP0232](#), defining conformance requirements for the DASH management initiative.

## 68 **3.4**

### 69 **interop namespace**

A CIM namespace for interoperability, as defined in [DSP1033](#).

## 70 **3.5**

### 71 **profile**

A management profile, as defined in [DSP1001](#).

72

## **4 Symbols and abbreviated terms**

73

### **4.1 General**

74 The abbreviations defined in [DSP0004](#), [DSP0223](#), and [DSP1001](#) apply to this document.

75 The following additional abbreviations are defined in this document.

## 76 **4.2**

### 77 **DASH**

Desktop and Mobile Architecture for System Hardware, a management initiative defined by DMTF; its conformance requirements are described in [DSP0232](#).

78

## **5 Synopsis**

79 **Profile name:** Management Initiative Registration

80 **Version:** 1.0.0

81 **Organization:** DMTF

82 **Abstract indicator:** False

83 **Profile type:** Autonomous

84

Schema: DMTF CIM 2.22 (experimental)

85 **Central class adaptation:** RegisteredInitiative

86 **Scoping class adaptation:** RegisteredInitiative

87 The Management Initiative Registration profile is an autonomous profile that provides for advertising and discovering conformance of an implementation to management initiatives, and optionally to the management profiles of the advertised initiatives.

88 The following table identifies the profile references defined in this profile.

89 **Table 1 – Profile references**

Profile reference name	Profile name	Organization	Version	Relationship	Description
PRP	<a href="#">Profile Registration</a>	DMTF	1.1	Mandatory	Used to advertise conformance of the implementation to this profile.
InitiativePRP	<a href="#">Profile Registration</a>	DMTF	1.1	Mandatory	Used to to advertise conformance of the implementation to the management profiles of advertised management initiatives.

93 The following table identifies the features defined in this profile.

94 **Table 2 – Features**

Feature	Requirement	Description
InitiativeProfiles	Optional	See 7.1.1.

97 The following table identifies the class adaptations defined in this profile.

98 **Table 3 – Adaptations**

Adaptation	Elements	Requirement	Description
<b>Instantiated, embedded and abstract adaptations</b>			
RegisteredProfile	CIM_RegisteredProfile	Mandatory	See 7.2.2.
RegisteredInitiative	CIM_RegisteredSpecification	Mandatory	See 7.2.3.
InitiativeProfile	CIM_RegisteredProfile	Conditional	See 7.2.4.
ReferencedInitiativeProfile	CIM_ReferencedSpecification	Conditional	See 7.2.5.
<b>Indications and exceptions</b>			
This profile does not define any such adaptations.			

107 The following table identifies the use cases and state descriptions defined in this profile.

108 **Table 4 – Use cases and state descriptions**

Name	Description
State description: SimpleObjectDiagram	See 8.1.
Use case: DetermineAllInitiatives	See 8.2.
Use case: DetermineInitiativesOfProfile	See 8.3.
Use case: DetermineProfilesOfInitiative	See 8.4.



Name	Description
State description: DerivedProfileObjectDiagram	See 8.5.

## 6 Description

The DMTF adaptation diagram in Figure 1 shows all class adaptations defined in this profile, and relevant class adaptations from referenced profiles.

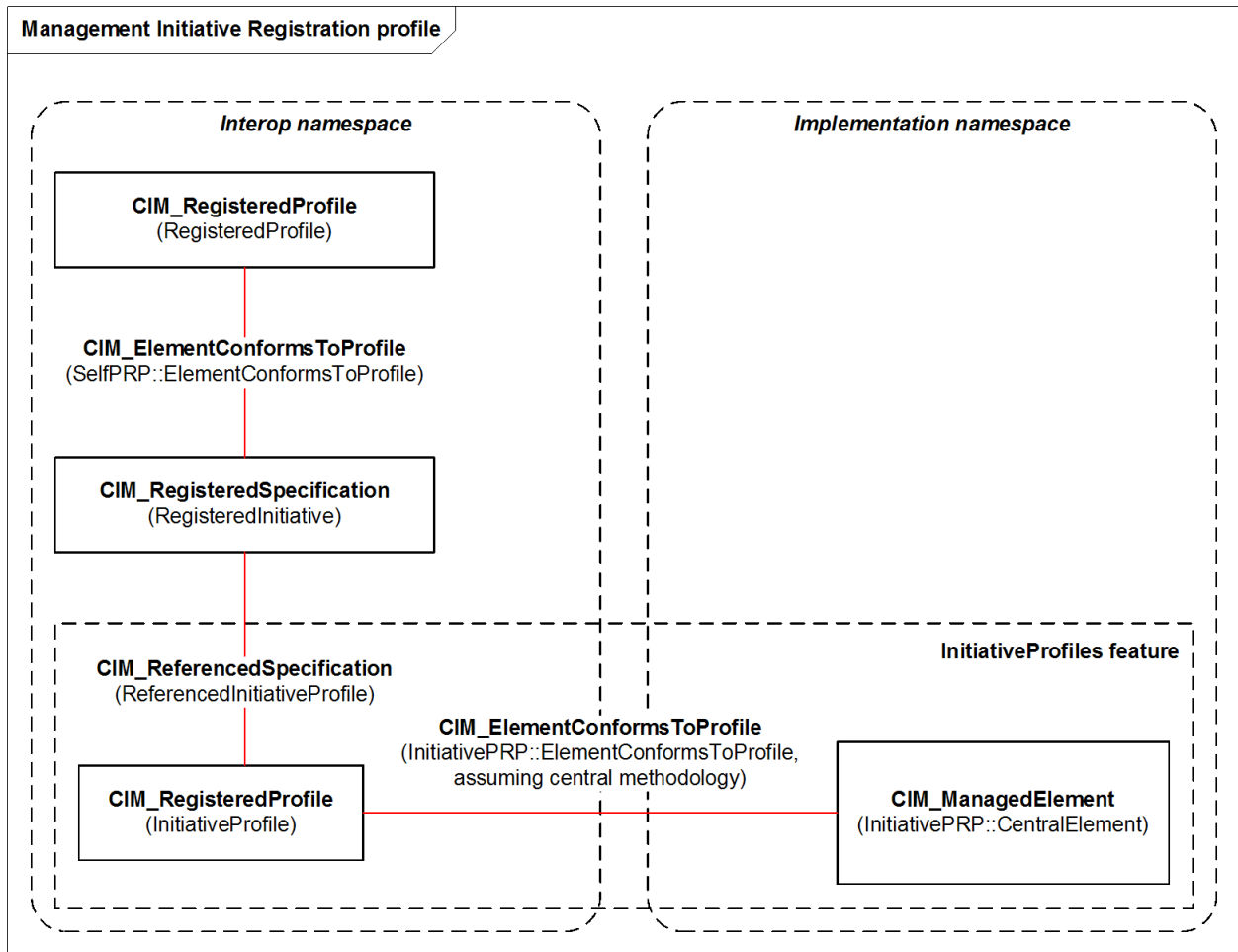


Figure 1 – DMTF adaptation diagram

The RegisteredInitiative class adaptation is the central (and scoping) element of this profile; its instances represent management initiatives to which implementations conform.

If the InitiativeProfiles feature is implemented for an initiative, the profiles implemented in context of that initiative are represented by InitiativeProfile instances associated through ReferencedInitiativeProfile. The InitiativeProfile instances are implemented as part of the profile they represent.

Conformance to this profile is advertised using the Profile Registration profile (referenced as PRP); that is, via the RegisteredProfile class.

## 7 Implementation

123

### 7.1 Features

124

#### 7.1.1 Feature: InitiativeProfiles

Implementing this feature for an advertised management initiative provides support for representing the management profiles of that initiative.

125

The requirement level for this feature is optional.

126

This feature can be made available to clients at the granularity of RegisteredInitiative instances.

127

It can be concluded that the feature is available for a RegisteredInitiative instance if:

129

- The following OCL derivation constraint evaluates to a Boolean value of True.

130

OCL context: A RegisteredInitiative instance.

131

132

```
derive: self.ReferencedInitiativeProfile::Antecedent->size() > 0
```

133

Explanation:

There is at least one ReferencedInitiativeProfile instance referencing the RegisteredInitiative instance representing the advertised management initiative.

134

Otherwise, it can be concluded that the feature is not available.

135

### 7.2 Adaptations

136

#### 7.2.1 Conventions

137

This profile defines operation requirements based on [DSP0223](#).

138

For adaptations of ordinary classes and of associations, the requirements for operations are defined in adaptation-specific subclauses of subclause 7.2.

139

For association traversal operation requirements that are specified only in the elements table of an adaptation (i.e., without operation-specific subclauses), the names of the association adaptations to be traversed are listed in the elements table.

140

The default initialization requirement level for property requirements is optional.

141

The default modification requirement level for property requirements is optional.

142

This profile repeats the effective values of certain Boolean qualifiers as part of property, method parameter, or method return value requirements. The following convention is established: If the name of a qualifier is listed, its effective value is True; if the qualifier name is not listed, its effective value is False. The convention is applied in the following cases:

143

- In: indicates that the parameter is an input parameter

144

- Out: indicates that the parameter is an output parameter

145

- Key: indicates that the property is a key (that is, its value is part of the instance path)

146

- Required: indicates that the element value shall be non-Null

147

- Null OK: indicates explicitly that the element value may be Null for mandatory, conditional or conditional exclusive properties. This information is not specified as a qualifier in the schema but as an indicator in the profile.

148 **7.2.2 Adaptation: RegisteredProfile: CIM\_RegisteredProfile**

149 **7.2.2.1 General**

150 This adaptation models the advertisement of conformance to this profile.

151 Profiles derived from this profile that have a need to advertise conformance to the derived profile, should in addition advertise conformance to this profile using this adaptation. Conformance to the derived profile should be advertised using a separate adaptation of CIM\_RegisteredProfile. See state description DerivedProfileObjectDiagram for this approach.

152 The implementation type of this adaptation is instantiated ordinary adaptation.

153 The requirement level for this adaptation is mandatory.

154 The following table identifies the element requirements for this adaptation.

155 **Table 5 – RegisteredProfile: Element requirements**

Element	Requirement	Description
<b>Base adaptations</b>		
PRP::RegisteredProfile	Mandatory	See PRP::RegisteredProfile.
<b>Properties</b>		
RegisteredName	Mandatory	Required, see 7.2.2.2.
RegisteredOrganization	Mandatory	Required, see 7.2.2.3.
RegisteredVersion	Mandatory	Required, see 7.2.2.4.

163 **7.2.2.2 Property: RegisteredName**

164 The presentation requirement level for this property is mandatory.

165 The implementation shall satisfy the following constraint for this property:

166 OCL constraint with context of a RegisteredProfile instance:

```
inv: self.RegisteredName = 'Management Initiative Registration'
```

169 **7.2.2.3 Property: RegisteredOrganization**

170 The presentation requirement level for this property is mandatory.

171 The implementation shall satisfy the following constraint for this property:

172 OCL constraint with context of a RegisteredProfile instance:

```
inv: self.RegisteredOrganization = 2 /* DMTF */
```

175 **7.2.2.4 Property: RegisteredVersion**

176 The presentation requirement level for this property is mandatory.

177

The implementation shall satisfy the following constraint for this property:

178 OCL constraint with context of a RegisteredProfile instance:

```
179 inv: self.RegisteredVersion = '1.0.0'
```

## 181 7.2.3 Adaptation: RegisteredInitiative: CIM\_RegisteredSpecification

### 182 7.2.3.1 General

183 This adaptation models management initiatives to which this implementation conforms; each such initiative shall have an initiative specification describing it.

184 This adaptation shall be exposed in the interop namespace of the WBEM server that implements the initiative.

185 The implementation type of this adaptation is instantiated ordinary adaptation.

186 The requirement level for this adaptation is mandatory.

187 The following table identifies the element requirements for this adaptation.

188 **Table 6 – RegisteredInitiative: Element requirements**

Element	Requirement	Description
<b>Properties</b>		
InstanceID	Mandatory	Key, see schema definition.
SpecificationType	Mandatory	See 7.2.3.2.
RegisteredOrganization	Mandatory	Required, see 7.2.3.3.
RegisteredName	Mandatory	Required, see 7.2.3.4.
RegisteredVersion	Mandatory	Required, see 7.2.3.5.
AdvertiseTypes	Mandatory	Required, see schema definition.
AdvertiseTypeDescriptions	Mandatory	See schema definition.
<b>Operations</b>		
GetInstance( )	Mandatory	See <a href="#">DSP0223</a> .
GetClassInstancesWithPath( )	Mandatory	See <a href="#">DSP0223</a> .
GetClassInstancePaths( )	Mandatory	See <a href="#">DSP0223</a> .
GetAssociatedInstancesWithPath( ) for ReferencedInitiativeProfile	Conditional	See 7.2.3.6.
GetAssociatedInstancePaths( ) for ReferencedInitiativeProfile	Conditional	See 7.2.3.7.

### 204 7.2.3.2 Property: SpecificationType

205 The presentation requirement level for this property is mandatory.

206 The implementation shall satisfy the following constraint for this property:

207 OCL constraint with context of a RegisteredInitiative instance:

```
208 inv: self.SpecificationType = 3 /* Initiative Wrapper */
```

210 Explanation:

This property shall have a value of 3 (Initiative Wrapper), indicating that the instance represents an initiative specification.

### 211 **7.2.3.3 Property: RegisteredOrganization**

212 The presentation requirement level for this property is mandatory.

213 The value of this property shall be the organization owning the initiative specification of the initiative represented by an instance of this adaptation.

### 214 **7.2.3.4 Property: RegisteredName**

215 The presentation requirement level for this property is mandatory.

216 The value of this property shall be the name of the initiative as defined in the initiative specification of the initiative represented by an instance of this adaptation.

### 217 **7.2.3.5 Property: RegisteredVersion**

218 The presentation requirement level for this property is mandatory.

219 The value of this property shall be the version of the initiative specification of the initiative represented by an instance of this adaptation.

### 220 **7.2.3.6 Operation: GetAssociatedInstancesWithPath( ) for ReferencedInitiativeProfile**

221 For general requirements on the implementation of this operation, see [DSP0223](#).

222 The requirement level for this operation is conditional, with the following condition:

The InitiativeProfiles feature is implemented.

223 This operation requirement applies when traversing the following association adaptations:

- 224 • ReferencedInitiativeProfile

### 225 **7.2.3.7 Operation: GetAssociatedInstancePaths( ) for ReferencedInitiativeProfile**

226 For general requirements on the implementation of this operation, see [DSP0223](#).

227 The requirement level for this operation is conditional, with the following condition:

The InitiativeProfiles feature is implemented.

228 This operation requirement applies when traversing the following association adaptations:

- 229 • ReferencedInitiativeProfile

## 230 **7.2.4 Adaptation: InitiativeProfile: CIM\_RegisteredProfile**

### 231 **7.2.4.1 General**

This adaptation models profiles to which an implementation conforms and that are referenced in the initiative specification of a management initiative.

232 The implementation type of this adaptation is instantiated ordinary adaptation.

233 The requirement level for this adaptation is conditional, with the following condition:

The InitiativeProfiles feature is implemented.

234 The following table identifies the element requirements for this adaptation.

Table 7 – InitiativeProfile: Element requirements

Element	Requirement	Description
<b>Base adaptations</b>		
InitiativePRP::RegisteredProfile	Mandatory	See InitiativePRP::RegisteredProfile.
<b>Operations</b>		
GetAssociatedInstancesWithPath( ) for ReferencedInitiativeProfile	Conditional	See 7.2.4.2.
GetAssociatedInstancePaths( ) for ReferencedInitiativeProfile	Conditional	See 7.2.4.3.

#### 7.2.4.2 Operation: GetAssociatedInstancesWithPath( ) for ReferencedInitiativeProfile

For general requirements on the implementation of this operation, see [DSP0223](#).

The requirement level for this operation is conditional, with the following condition:

The InitiativeProfiles feature is implemented.

This operation requirement applies when traversing the following association adaptations:

- ReferencedInitiativeProfile

#### 7.2.4.3 Operation: GetAssociatedInstancePaths( ) for ReferencedInitiativeProfile

For general requirements on the implementation of this operation, see [DSP0223](#).

The requirement level for this operation is conditional, with the following condition:

The InitiativeProfiles feature is implemented.

This operation requirement applies when traversing the following association adaptations:

- ReferencedInitiativeProfile

### 7.2.5 Adaptation: ReferencedInitiativeProfile: CIM\_ReferencedSpecification

#### 7.2.5.1 General

This adaptation models the relationship between management initiatives represented by RegisteredInitiative instances and the management profiles implemented in context of these initiatives that are represented by InitiativeProfile instances.

This adaptation shall be exposed in the interop namespace of the WBEM server that implements the initiative.

The implementation type of this adaptation is instantiated association adaptation.

The requirement level for this adaptation is conditional, with the following condition:

The InitiativeProfiles feature is implemented.

The following table identifies the element requirements for this adaptation.

Table 8 – ReferencedInitiativeProfile: Element requirements

Element	Requirement	Description
<b>Properties</b>		

Element	Requirement	Description
Antecedent	Mandatory	Key, see 7.2.5.2.
Dependent	Mandatory	Key, see 7.2.5.3.

### 7.2.5.2 Property: Antecedent

The presentation requirement level for this property is mandatory.

The implementation shall satisfy the following constraints for this reference property:

- Referenced instances shall be of class adaptation InitiativeProfile.
- The multiplicity of [0 .. \*] defined in the schema is not further constrained.

### 7.2.5.3 Property: Dependent

The presentation requirement level for this property is mandatory.

The implementation shall satisfy the following constraints for this reference property:

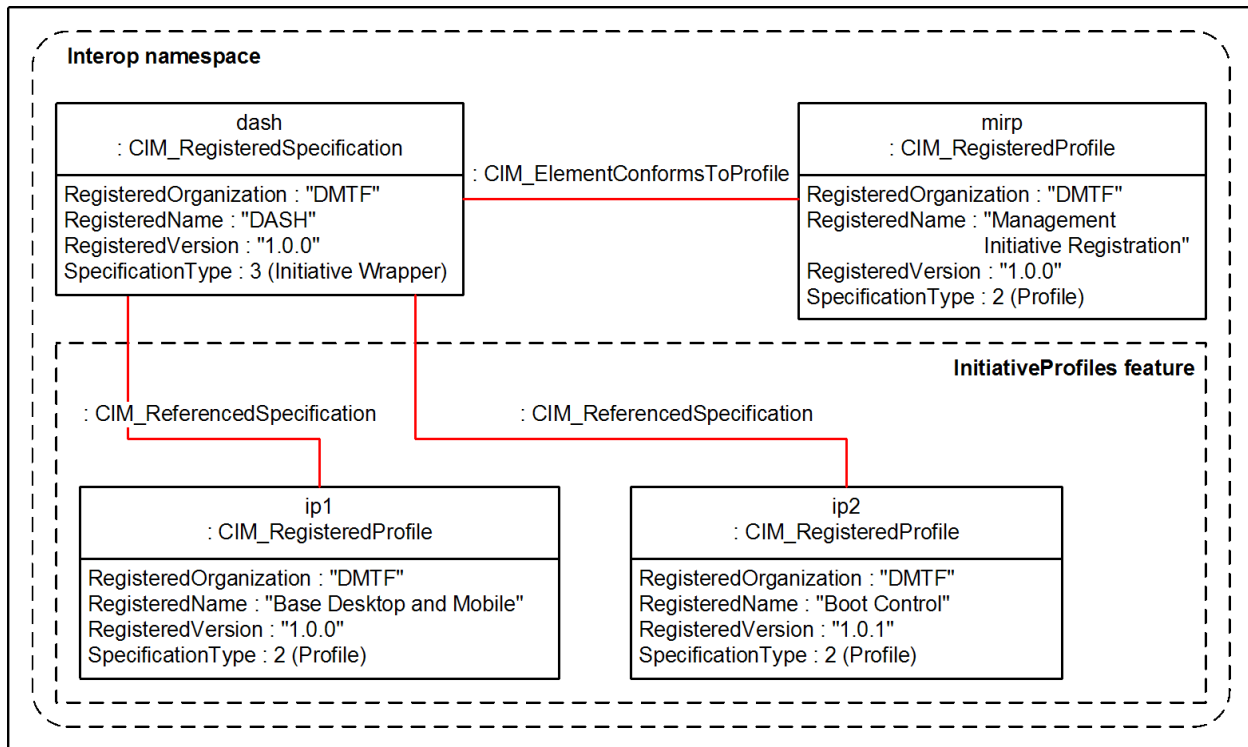
- Referenced instances shall be of class adaptation RegisteredInitiative.
- The multiplicity of [0 .. \*] defined in the schema is not further constrained.

## 8 Use cases and state descriptions

### 8.1 State description: SimpleObjectDiagram

The object diagram in Figure 2 shows a conformant implementation of this profile, with one management initiative and two profiles advertised as conformant to the initiative, implementing the InitiativeProfiles feature.

276



277

Figure 2 – Simple object diagram

278

The `dash` instance represents that the implementation conforms to the DASH management initiative, version 1.0.0.

279 The two profiles that have been implemented in context of that initiative are represented by the `ip1` and `ip2` instances. Because the InitiativeProfiles feature has been implemented, the `ip1` and `ip2` instances are associated with the `dash` instance via ReferencedInitiativeProfile association instances.

280 Conformance of the implementation to this profile is indicated by the `mirp` instance, using the mechanisms described in [DSP1033](#). Because this profile is an autonomous profile, the central and scoping path methodologies fall together and a client can always expect a `CIM_ElementConformsToProfile` association to exist between the central instances of `CIM_RegisteredSpecification` and the `mirp` instance representing this profile.

281

## 8.2 Use case: DetermineAllInitiatives

Determine all management initiatives to which the implementation conforms, and their versions.

282 This use case has the following preconditions:

- 284 • The interop namespace of the WBEM server is known.

285 The main flow for this use case consists of the following step:

- 287 1. Enumerate `CIM_RegisteredSpecification` instances in the interop namespace of the WBEM server, restricting the result set to instances where `SpecificationType = 3` (Initiative Wrapper).

288 The resulting instances conform to the RegisteredInitiative adaptation and represent all initiatives to which the implementation (on the WBEM server) conforms. The `RegisteredName` and `RegisteredVersion` properties of the returned `CIM_RegisteredSpecification` instances identify name and version of the management initiative.

289



Note that there may be initiatives implemented in the WBEM server for which this profile was not implemented. Such initiatives would not be represented in the result set of this use case.

290

### 8.3 Use case: DetermineInitiativesOfProfile

Determine to which management initiatives a given implemented profile belongs.

291

This use case has the following preconditions:

292

- The InitiativeProfiles feature is implemented for the initiatives in question.

293

- The CIM\_RegisteredProfile instance representing the given implemented profile is known.

294

The main flow for this use case consists of the following step:

296

1. From the given CIM\_RegisteredProfile instance, traverse the CIM\_ReferencedSpecification association, restricting the associated instances to those of class CIM\_RegisteredSpecification where SpecificationType = 3 (Initiative Wrapper).

297

The resulting CIM\_RegisteredSpecification instances conform to the RegisteredInitiative adaptation and represent the initiatives to which the given profile belongs.

298

Note that there may be initiatives to which the given profile belongs but for which this profile or the InitiativeProfiles feature was not implemented. Such initiatives would not be represented in the result set of this use case.

299

### 8.4 Use case: DetermineProfilesOfInitiative

Determine to which profiles of a given implemented initiative the implementation conforms.

300

This use case has the following preconditions:

301

- The InitiativeProfiles feature is implemented for the given initiative.

302

- The CIM\_RegisteredSpecification instance representing the given initiative is known.

303

The main flow for this use case consists of the following step:

305

1. From the given CIM\_RegisteredSpecification instance, traverse the CIM\_ReferencedSpecification association, restricting the associated instances to those of class CIM\_RegisteredProfile.

306

The resulting CIM\_RegisteredProfile instances conform to the InitiativeProfile adaptation and represent the profiles that advertise conformance to the given initiative.

307

Note that there may be profiles that belong to the given initiative but for which the InitiativeProfiles feature was not implemented. Such profiles would not be part of the result set of this use case.

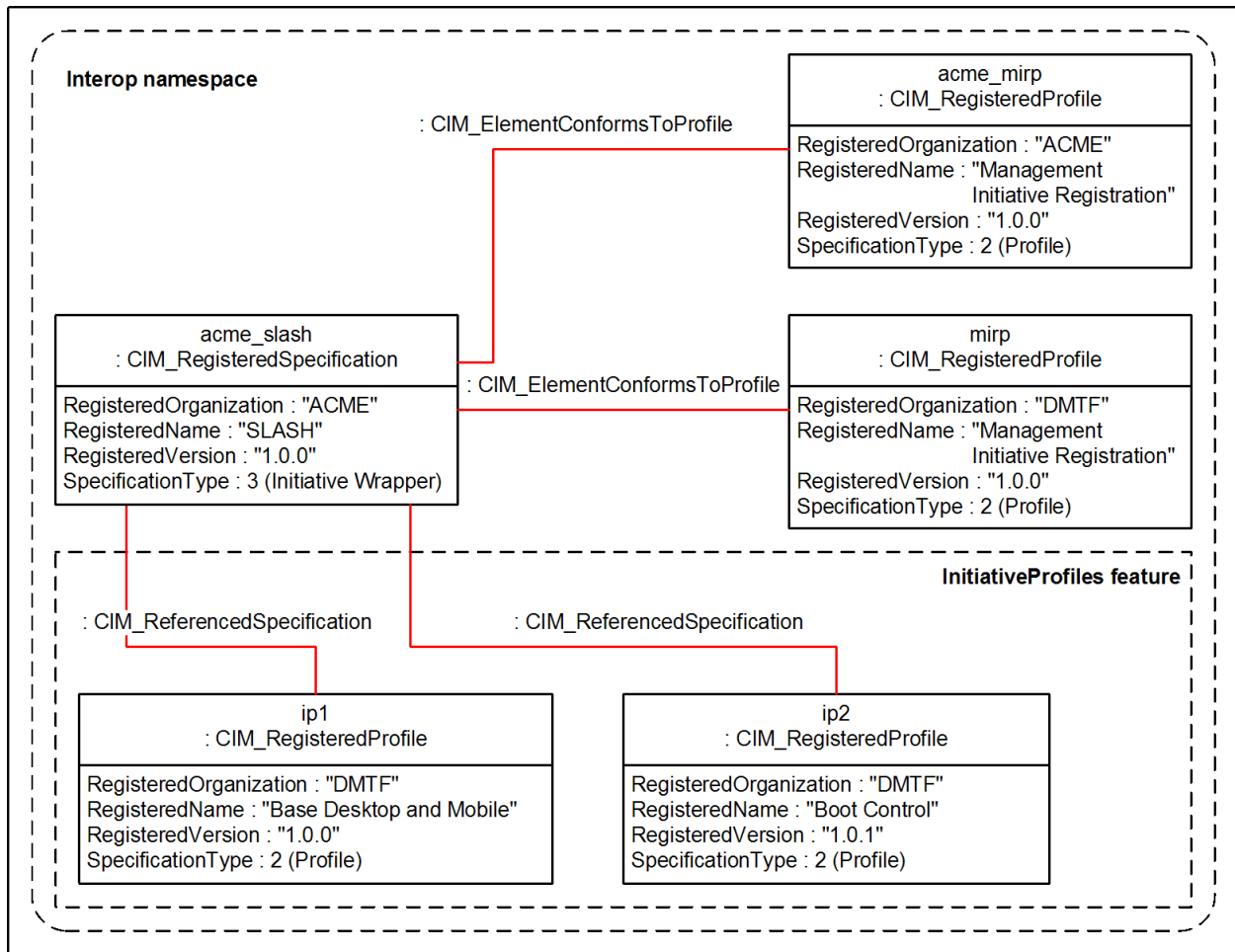
308

### 8.5 State description: DerivedProfileObjectDiagram

309

The object diagram in Figure 3 shows an implementation that conforms to this profile and to a profile derived from this profile, that advertises conformance separately. Like in the state description SimpleObjectDiagram, the InitiativeProfiles feature is implemented in this example, with two profiles being part of the initiative.

310



311

**Figure 3 – Derived profile object diagram**

312

It is assumed that a "Management Initiative Registration" profile defined by ACME is derived from this profile.

313

Conformance of the implementation to this profile is indicated by the `mirp` instance, and conformance to the ACME "Management Initiative Registration" profile is indicated by the `acme_mirp` instance, using the mechanisms described in [DSP1033](#). Both instances are associated with the same `acme_slash` instance, which represents that the implementation conforms to a SLASH management initiative, defined by ACME.

314

Because this profile is an autonomous profile, the central and scoping path methodologies fall together and a client can always expect a `CIM_ElementConformsToProfile` association to exist between the central instances of `CIM_RegisteredSpecification` and the `mirp` and `acme_mirp` instances representing this profile and its derived profile, respectively.

315

**ANNEX A**  
(informative)

**Change log**

316

**Table 9 – Change log**

317

318

319

Version	Date	Description
1.0.0b	2013-04-04	Released as Work in Progress

## Bibliography

- 320 The following documents may provide additional background.
- 321 DMTF DSP0232, *DASH Implementation Requirements 1.0*,  
[http://www.dmtf.org/standards/published\\_documents/DSP0232\\_1.0.pdf](http://www.dmtf.org/standards/published_documents/DSP0232_1.0.pdf)