



1

2

3

4

Document Number: DSP0261

Date: 2013-08-22

Version: 1.0.0

5

NC-SI over MCTP Binding Specification

6

7

Document Type: Specification

8

Document Status: DMTF Standard

9

Document Language: en-US

10

11

12 Copyright notice

13 Copyright © 2013 Distributed Management Task Force, Inc. (DMTF). All rights reserved.

14 DMTF is a not-for-profit association of industry members dedicated to promoting enterprise and systems
15 management and interoperability. Members and non-members may reproduce DMTF specifications and
16 documents for uses consistent with this purpose, provided that correct attribution is given. As DMTF
17 specifications may be revised from time to time, the particular version and release date should always be
18 noted.

19 Implementation of certain elements of this standard or proposed standard may be subject to third party
20 patent rights, including provisional patent rights (herein "patent rights"). DMTF makes no representations
21 to users of the standard as to the existence of such rights, and is not responsible to recognize, disclose,
22 or identify any or all such third party patent right, owners or claimants, nor for any incomplete or
23 inaccurate identification or disclosure of such rights, owners or claimants. DMTF shall have no liability to
24 any party, in any manner or circumstance, under any legal theory whatsoever, for failure to recognize,
25 disclose, or identify any such third party patent rights, or for such party's reliance on the standard or
26 incorporation thereof in its product, protocols or testing procedures. DMTF shall have no liability to any
27 party implementing such standard, whether such implementation is foreseeable or not, nor to any patent
28 owner or claimant, and shall have no liability or responsibility for costs or losses incurred if a standard is
29 withdrawn or modified after publication, and shall be indemnified and held harmless by any party
30 implementing the standard from any and all claims of infringement by a patent owner for such
31 implementations.

32 PCI-SIG, PCIe, and the PCI HOT PLUG design mark are registered trademarks or service marks of PCI-
33 SIG.

34 All other marks and brands are the property of their respective owners.

35 For information about patents held by third-parties which have notified the DMTF that, in their opinion,
36 such patent may relate to or impact implementations of DMTF standards, visit
37 <http://www.dmtf.org/about/policies/disclosures.php>.

38

CONTENTS

40	Foreword	5
41	Introduction.....	6
42	Document conventions.....	6
43	Typographical conventions	6
44	ABNF usage conventions	6
45	1 Scope	7
46	2 Normative references	7
47	3 Terms and definitions	8
48	4 Symbols and abbreviated terms.....	9
49	5 Conventions	9
50	5.1 Reserved and unassigned values.....	9
51	5.2 Byte ordering.....	9
52	6 NC-SI over MCTP overview	10
53	6.1 NC-SI over RBT	10
54	6.2 NC-SI over MCTP	11
55	7 NC-SI over MCTP specific considerations.....	12
56	7.1 Packages and channels.....	12
57	7.2 Routing of NC-SI Pass-through traffic	13
58	7.2.1 Transmit NC-SI Pass-through traffic (MC to LAN).....	13
59	7.2.2 Receive NC-SI Pass-through traffic (LAN to MC).....	14
60	7.3 Multiple NC support	14
61	7.3.1 NC-SI arbitration support	14
62	7.4 Flow control.....	14
63	7.4.1 Flow control for MCTP packets.....	14
64	7.4.2 Flow control for NC-SI over MCTP Control messages	14
65	7.4.3 Flow control for NC-SI Pass-through packets.	14
66	7.5 Interleaving of messages.....	14
67	7.5.1 Interleaving of MCTP Control and NC-SI messages.....	14
68	7.5.2 Interleaving of NC-SI Control and Ethernet over MCTP messages	15
69	7.6 Ordering rules for NC to MC traffic	16
70	7.7 Assembly requirements	16
71	7.8 Multiple MCTP transport bindings.....	17
72	7.8.1 Supported message types over different MCTP transport bindings.....	17
73	7.8.2 MCTP EID and physical address changes.	18
74	7.8.3 NC discovery flows	18
75	7.8.4 MC update flow	19
76	7.8.5 Transition between mediums.....	19
77	7.9 Package selection.....	21
78	8 Supported NC-SI commands	22
79	9 Message types	25
80	9.1 NC-SI message type (0x02)	25
81	9.1.1 Encapsulation	25
82	9.1.2 Version.....	26
83	9.2 Ethernet message type (0x03).....	26
84	9.2.1 Encapsulation	26
85	9.2.2 Version.....	27
86	10 NC-SI support specific to MCTP transport.....	28
87	10.1 Get Supported Media Command (0x51).....	28
88	10.2 Get Supported Media Response (0xD1).....	28
89	10.3 Medium Change AEN	29
90	ANNEX A (informative) Notation and conventions	30

91 ANNEX B (informative) Change log..... 31

92

93 **Figures**

94 Figure 1 – NC-SI over RBT traffic flow diagram..... 10

95 Figure 2 – NC-SI over MCTP traffic flow diagram..... 11

96 Figure 3 – Single MCTP EID to multiple NC-SI channels mapping 13

97 Figure 4 – Multiple MCTP EIDs to multiple NC-SI channels mapping..... 13

98 Figure 5 – Multiple MCTP transport bindings example 17

99

100 **Tables**

101 Table 1 – MCTP Message types for NC-SI over MCTP 12

102 Table 2 – Supported NC-SI commands 22

103 Table 3 –NC-SI messages encapsulation..... 25

104 Table 4 - MCTP Transport Header fields 26

105 Table 5 – MCTP Specific Message Header field 26

106 Table 6 – Ethernet messages encapsulation..... 27

107 Table 7 - MCTP Transport Header fields 27

108 Table 8 – MCTP Specific Message Header field 27

109 Table 9 – Get Supported Media Command Packet Format..... 28

110 Table 10 – Get Supported Media Response Packet Format..... 28

111 Table 11 – Get Supported Media Response media descriptors format..... 29

112 Table 12 – Medium change AEN format..... 29

113

Foreword

114 The *NC-SI over MCTP Binding Specification* (DSP0261) was prepared by the Platform Management
115 Components Intercommunications (PMCI Working Group) of the DMTF.

116 DMTF is a not-for-profit association of industry members dedicated to promoting enterprise and systems
117 management and interoperability.

118 **Acknowledgments**

119 The DMTF acknowledges the following individuals for their contributions to this document:

120 **Editor:**

- 121 • Eliel Louzoun – Intel Corporation

122 **Contributors:**

- 123 • Alan Berenbaum – SMSC
- 124 • Philip Chidester – Dell
- 125 • Benzi Friedman – Intel Corporation
- 126 • Ed Klodnicki – IBM
- 127 • Patrick Kutch – Intel Corporation
- 128 • John Leung – Intel Corporation
- 129 • Hemal Shah – Broadcom Corporation
- 130 • Tom Slaight – Intel Corporation
- 131 • Bob Stevens - Dell

132

133

Introduction

134 The *NC-SI over MCTP Binding Specification* defines new MCTP messages used to convey NC-SI Control
135 packets and Ethernet traffic over MCTP to allow NC-SI Pass-through traffic over MCTP. This specification
136 is based on the [DSP0222 1.0](#) specification and uses the same NC-SI Control packet definitions.

137 Document conventions

138 Typographical conventions

139 The following typographical conventions are used in this document:

- 140 • Document titles are marked in *italics*.
- 141 • Important terms that are used for the first time are marked in *italics*.
- 142 • Terms include a link to the term definition in the "Terms and definitions" clause, enabling easy
143 navigation to the term definition.
- 144 • ABNF rules are in `monospaced font`.

145 ABNF usage conventions

146 Format definitions in this document are specified using ABNF (see [RFC5234](#)), with the following
147 deviations:

- 148 • Literal strings are to be interpreted as case-sensitive Unicode characters, as opposed to the
149 definition in [RFC5234](#) that interprets literal strings as case-insensitive US-ASCII characters.

150

151

NC-SI over MCTP Binding Specification

1 Scope

153 The *NC-SI over MCTP Binding Specification* defines the bindings between NC-SI protocol elements and
154 MCTP elements in order for NC-SI Control and Pass-Through traffic to be transported using MCTP.

155 Portions of this specification rely on information and definitions from other specifications, which are
156 identified in clause 2. Two of these references are particularly relevant:

- 157 • DMTF [DSP0222](#), *Network Controller Sideband Interface (NC-SI) Specification*, provides the
158 NC-SI base control that is to be bound over MCTP by this specification.
- 159 • DMTF [DSP0236](#), *Management Component Transport Protocol (MCTP) Base Specification*,
160 defines the MCTP transport on which the NC-SI Control and Pass-through packets are to be
161 conveyed.

2 Normative references

163 The following referenced documents are indispensable for the application of this document. For dated or
164 versioned references, only the edition cited (including any corrigenda or DMTF update versions) applies.
165 For references without a date or version, the latest published edition of the referenced document
166 (including any corrigenda or DMTF update versions) applies.

167 Unless otherwise specified, for DMTF documents this means any document version that has minor or
168 update version numbers that are later than those for the referenced document. The major version
169 numbers must match the major version number given for the referenced document.

170 DMTF DSP0004, *CIM Infrastructure Specification 2.6*,
171 http://www.dmtf.org/standards/published_documents/DSP0004_2.6.pdf

172 DMTF DSP0222, *Network Controller Sideband Interface (NC-SI) Specification 1.0*
173 http://www.dmtf.org/standards/published_documents/DSP0222_1.0.pdf

174 DMTF DSP0223, *Generic Operations 1.0*,
175 http://www.dmtf.org/standards/published_documents/DSP0223_1.0.pdf

176 DMTF DSP0236, *Management Component Transport Protocol (MCTP) Base Specification 1.2*
177 http://www.dmtf.org/standards/published_documents/DSP0236_1.2.pdf

178 DMTF DSP0237, *Management Component Transport Protocol (MCTP) SMBus/I2C Transport Binding*
179 *Specification 1.0*
180 http://www.dmtf.org/standards/published_documents/DSP0237_1.0.pdf

181 DMTF DSP0238, *Management Component Transport Protocol (MCTP) PCIe VDM Transport Binding*
182 *Specification 1.0*
183 http://www.dmtf.org/standards/published_documents/DSP0238_1.0.pdf

184 DMTF DSP0239, *Management Component Transport Protocol (MCTP) IDs and Codes 1.2*
185 http://www.dmtf.org/standards/published_documents/DSP0239_1.2.pdf

186 DMTF DSP1001, *Management Profile Specification Usage Guide 1.1*,
187 http://www.dmtf.org/standards/published_documents/DSP1001_1.1.pdf

- 188 ACPI, *Advanced Configuration and Power Interface Specification Revision 4.0a*, April 5, 2010
189 <http://www.acpi.info/DOWNLOADS/ACPIspec40a.pdf>
- 190 IETF, RFC4122, *A Universally Unique Identifier (UUID) URN Namespace*, July 2005
191 <http://www.ietf.org/rfc/rfc4122.txt>
- 192 IETF RFC5234, *ABNF: Augmented BNF for Syntax Specifications, January 2008*,
193 <http://tools.ietf.org/html/rfc5234>
- 194 ISO/IEC Directives, Part 2, *Rules for the structure and drafting of International Standards*,
195 <http://isotc.iso.org/livelink/livelink.exe?func=ll&objId=4230456&objAction=browse&sort=subtype>

196 3 Terms and definitions

197 In this document, some terms have a specific meaning beyond the normal English meaning. Those terms
198 are defined in this clause.

199 The terms "shall" ("required"), "shall not," "should" ("recommended"), "should not" ("not recommended"),
200 "may," "need not" ("not required"), "can" and "cannot" in this document are to be interpreted as described
201 in [ISO/IEC Directives, Part 2](#), Annex H. The terms in parenthesis are alternatives for the preceding term,
202 for use in exceptional cases when the preceding term cannot be used for linguistic reasons. Note that
203 [ISO/IEC Directives, Part 2](#), Annex H specifies additional alternatives. Occurrences of such additional
204 alternatives shall be interpreted in their normal English meaning.

205 The terms "clause," "subclause," "paragraph," and "annex" in this document are to be interpreted as
206 described in [ISO/IEC Directives, Part 2](#), Clause 5.

207 The terms "normative" and "informative" in this document are to be interpreted as described in [ISO/IEC](#)
208 [Directives, Part 2](#), Clause 3. In this document, clauses, subclauses, or annexes labeled "(informative)" do
209 not contain normative content. Notes and examples are always informative elements.

210 Refer to [DSP0236](#) for terms and definitions that are used across the MCTP specifications.

211 Refer to [DSP0222](#) for terms and definitions that are used in the NC-SI specification.

212 The terms defined in [DSP0004](#), [DSP0223](#), and [DSP1001](#) apply to this document. The following additional
213 terms are used in this document.

214 3.1

215 Endpoint

216 An MCTP endpoint unless otherwise specified.

217 3.2

218 System Power States

219 S0 and Sx

220 S0 represents an active system

221 Sx represents system power states S1 – S5, which reflects various levels of inactivity of a system.

222 The definition of the power states is as defined in [ACPI](#).

223 4 Symbols and abbreviated terms

224 The abbreviations defined in [DSP0004](#), [DSP0223](#), and [DSP1001](#) apply to this document. The following
225 additional abbreviations are used in this document.

226 4.1

227 ACPI

228 Advanced Configuration and Power Interface

229 4.2

230 IANA

231 Internet Assigned Numbers Authority

232 4.3

233 FCS

234 Frame Check Sequence

235 4.4

236 MCTP

237 Management Component Transport Protocol

238 4.5

239 MC

240 Management Controller

241 4.6

242 NC

243 Network Controller

244 4.7

245 NC-SI

246 Network Controller Sideband Interface

247 4.8

248 RID

249 PCIe Requester ID (Bus/Device/Function).

250 5 Conventions

251 5.1 Reserved and unassigned values

252 Unless otherwise specified, any reserved, unspecified, or unassigned values in enumerations or other
253 numeric ranges are reserved for future definition by the DMTF.

254 Unless otherwise specified, numeric or bit fields that are designated as reserved shall be written as 0
255 (zero) and ignored when read.

256 5.2 Byte ordering

257 Unless otherwise specified, byte ordering of multibyte numeric fields or bit fields is "Big Endian" (that is,
258 the lower byte offset holds the most significant byte, and higher offsets hold lesser significant bytes).

259 **6 NC-SI over MCTP overview**

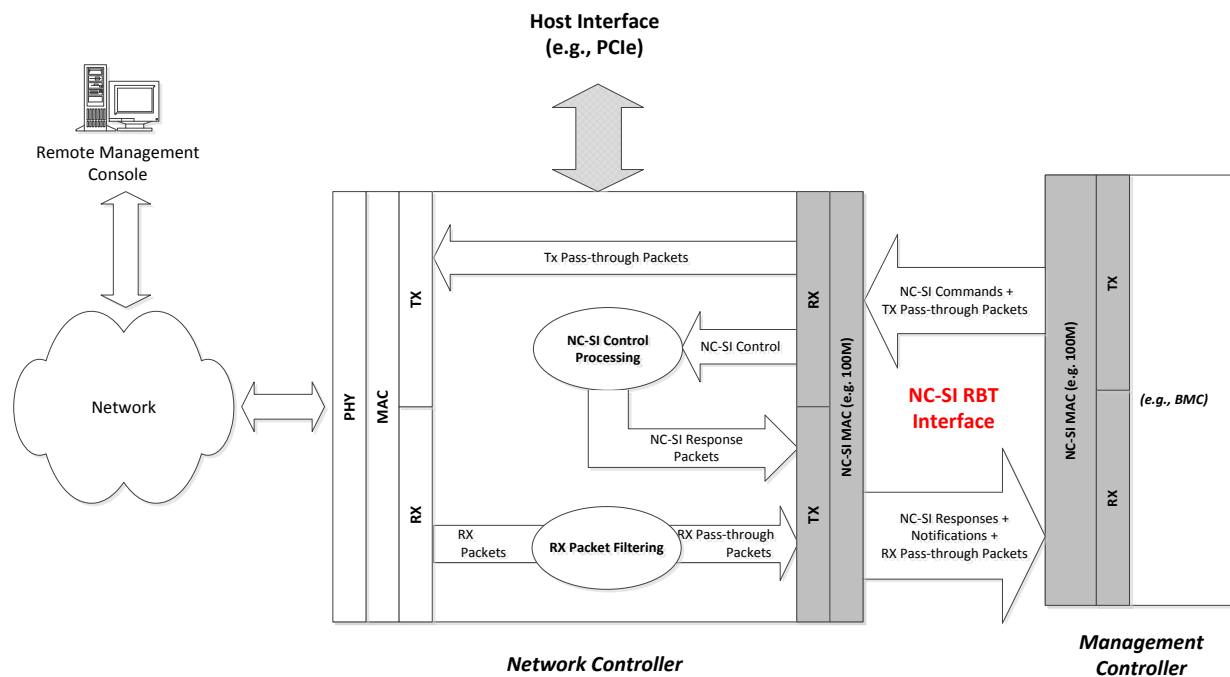
260 NC-SI over MCTP is based on DSP0222 (NC-SI). The NC-SI over MCTP Binding Specification replaces
 261 the RBT Protocol with a definition of NC-SI communications using MCTP. The MCTP Transport Bindings
 262 are defined in other companion specifications such as MCTP SMBus Binding Specification (DSP0237)
 263 and MCTP PCIe Binding Specification (DSP0238). Only the NC-SI command processing is inherited from
 264 DSP0222. Thus only parts of the NC-SI specification not related to the physical transport protocol may be
 265 relevant to this specification.

266 **6.1 NC-SI over RBT**

267 A Network Controller Sideband Interface (NC-SI) is a combination of logical and physical paths that
 268 interconnect the Management Controller and Network Controller(s) for the purpose of transferring
 269 management communication traffic among them. NC-SI includes commands and associated responses,
 270 which the Management Controller uses to control the status and operation of the Network Controller(s).
 271 NC-SI also includes a mechanism for transporting management traffic and asynchronous notifications.

272 Figure 1 depicts the NC-SI Traffic Flow Diagram as currently defined by NC-SI. As indicated, the interface
 273 is based on RBT. The figure depicts a single management controller and a single Ethernet device, which
 274 contains a single port. NC-SI comprehends multiple Network Controller devices (or “packages”) and ports
 275 (or “channels”).

276



277

278

Figure 1 – NC-SI over RBT traffic flow diagram

279

280 The DSP0222 specification can be divided in three parts. The first two parts are defined as RBT:

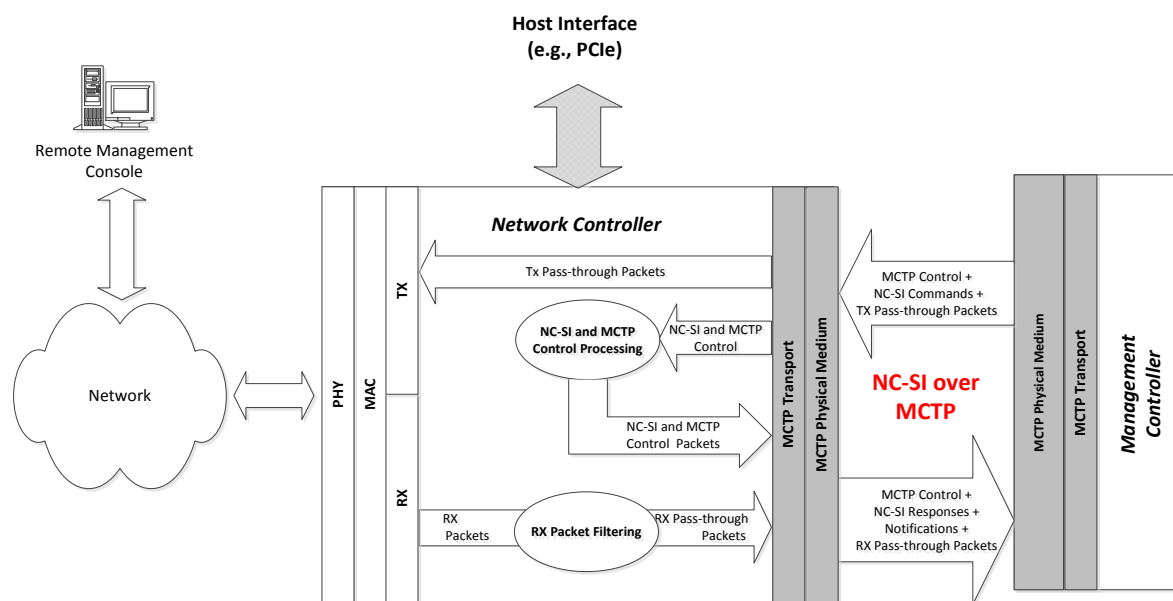
- 281 • A physical layer based on enhancements to the RMI specification.
- 282 • A transport layer based on Ethernet packets. This layer allows differentiation of control frames
283 based on a specific Ethertype (0x88F8).
- 284 • A control protocol defining a set of commands allowing an MC to configure and monitor Network
285 Controllers and their Pass-through channels for MC to network communication. The command
286 set functionality can be extended using OEM commands.

287 **6.2 NC-SI over MCTP**

288 NC-SI over MCTP replaces the transport layer defined in NC-SI with MCTP. The physical layer used is
289 one of the transport bindings on which MCTP can be bound (for example, PCIe or SMBus).

290 Figure 2 shows a possible architecture that provides equivalent functionality to [\[NC-SI\]](#) over MCTP. The
291 NC-SI MAC block in each device is replaced by an MCTP block and a Medium-specific block. The MCTP
292 block handles MCTP messages. The Medium-specific blocks consist of whatever layers are involved in
293 mapping MCTP to an underlying medium such as SMBus, PCIe, or USB. Because the layering for each
294 medium may be unique in its constitution and terminology, a generic single block is depicted.

295



296

297 **Figure 2 – NC-SI over MCTP traffic flow diagram**

298

299 The differentiation between NC-SI Control and Pass-through packets is achieved by using two different
300 MCTP message types as defined in [DSP0239](#) and listed in Table 1.

301

Table 1 – MCTP Message types for NC-SI over MCTP

Message Type	Message Type Code	Description
NC-SI Control	0x02	Messages used to encapsulate NC-SI Control traffic (commands, responses, and AEN) over MCTP
Ethernet	0x03	Messages used to encapsulate Ethernet traffic (for example, NC-SI Pass-through) over MCTP

302

303 Both NC-SI Control and Ethernet types of MCTP messages can be conveyed over multiple MCTP
304 packets.

305 The encapsulation of NC-SI Control traffic in MCTP messages is described in subclause 9.1.1. The
306 encapsulation of NC-SI Pass-through traffic in MCTP messages is described in subclause 9.2.1.

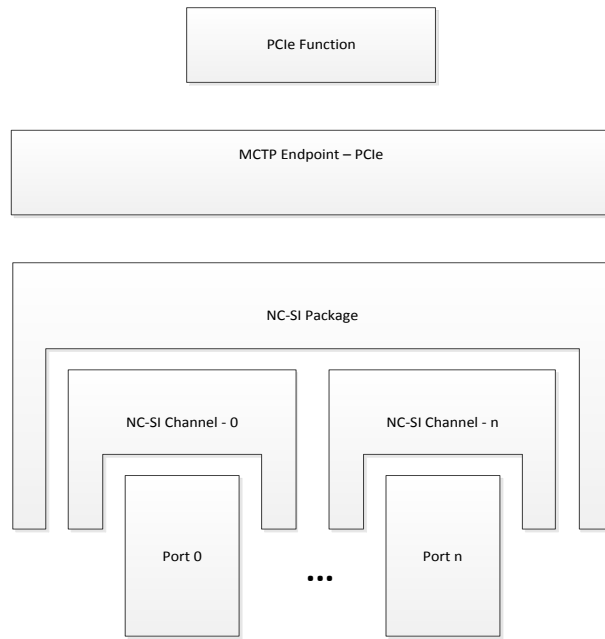
307 7 NC-SI over MCTP specific considerations

308 7.1 Packages and channels

309 The NC-SI specification defines different topologies using the concepts of channels and packages. A
310 channel is associated with a network port and a package is usually associated with a physical device that
311 exposes a single NC-SI bus. In an MCTP context, a package is related to an MCTP endpoint. Typically, a
312 package is identified by a single MCTP EID on an MCTP network.

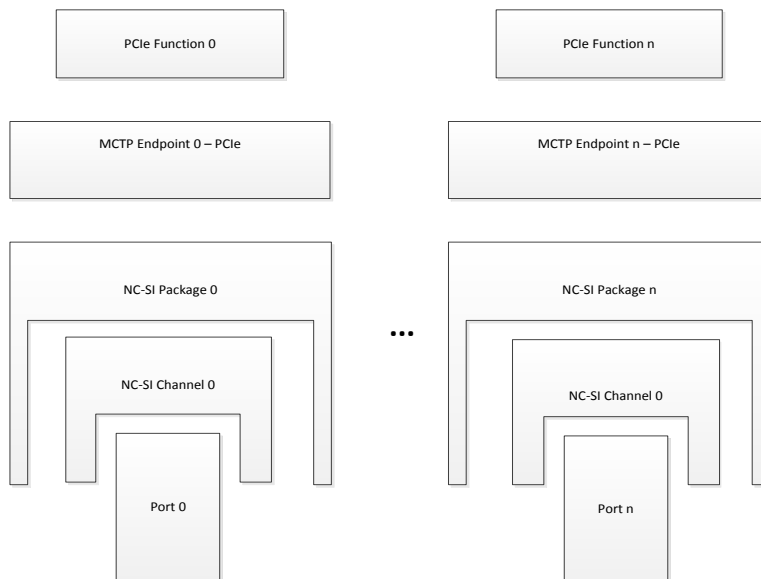
313 NOTE Each device may expose multiple MCTP endpoints on different transport bindings (for example PCIe and
314 SMBus). The EID on each transport binding may be different. In this case, the NC-SI package may be associated
315 with multiple EIDs but only a single EID shall be used for NC-SI over MCTP at a given moment.

316 For example, each MCTP endpoint is associated with a PCIe endpoint and its physical address (as
317 defined in [DSP0238](#)) in an MCTP over PCIe VDM transport binding implementation. A multi-function PCIe
318 device has multiple physical addresses available. Such a device may choose to expose one NC-SI
319 package with multiple NC-SI channels via a single MCTP PCIe endpoint (as described in Figure 3) or
320 multiple NC-SI packages, each package with a single NC-SI channel exposed via a dedicated MCTP
321 PCIe endpoint (as described in Figure 4).



322
323

Figure 3 – Single MCTP EID to multiple NC-SI channels mapping



324
325
326

Figure 4 – Multiple MCTP EIDs to multiple NC-SI channels mapping

327 Multiple MCTP transport bindings handling is described in subclause 7.8.

328 NOTE All the MCTP message segmentation and reassembly capabilities required are defined at the package level.

329 **7.2 Routing of NC-SI Pass-through traffic**

330 **7.2.1 Transmit NC-SI Pass-through traffic (MC to LAN)**

331 Because multiple NC-SI channels can share an EID, identification of channel is still based on the source
332 MAC address of the packet. Given the shared media behavior of RBT in multidrop configurations, packets

333 not destined to this package can be seen. In NC-SI over MCTP, the NC-SI pass-through packets are
334 routed over an MCTP network, thus packets destined to other packages should not be expected. The NC
335 should drop the received NC-SI TX Pass-through packets that are not destined to its package and count
336 them as transmit errors. These errors shall be included in the “Pass-through TX Packets Dropped”
337 counter as part of the Get NC-SI Pass-through Statistics Response.

338 **7.2.2 Receive NC-SI Pass-through traffic (LAN to MC)**

339 The forwarding of network traffic to the MC shall use the same rules as defined in DSP0222.

340 **7.3 Multiple NC support**

341 **7.3.1 NC-SI arbitration support**

342 In the original NC-SI specification, hardware and command-based arbitration are defined as ways to
343 share an inherently point-to-point media between different NCs. With MCTP, the media itself may provide
344 other means to arbitrate between different NCs. Thus, there is no need to use NC-SI HW arbitration
345 method to arbitrate between multiple NCs on an MCTP network.

346 An NC supporting the NC-SI over MCTP binding shall retain the support for the ‘select package’ and
347 ‘deselect package’ commands to allow control of asynchronous transmission from the NC.

348 **7.4 Flow control**

349 **7.4.1 Flow control for MCTP packets**

350 A physical medium supporting NC-SI over MCTP communication shall be able to buffer at least one NC-
351 SI Control or Ethernet message at the rate of the physical layer. Flow control of MCTP packets between
352 the Network Controller and the Management Controller (if any) may be handled by the flow control
353 mechanisms that are specified for that particular MCTP Transport Binding for a physical medium. For
354 example, a network controller may use the SMBus clock stretching mechanism to delay the reception of
355 MCTP packets or may drop such packets.

356 **7.4.2 Flow control for NC-SI over MCTP Control messages**

357 Flow control of NC-SI Control over MCTP messages is handled by the request/response protocol used for
358 those messages. The Network Controller shall be able to process a single NC-SI command at a time from
359 the Management Controller. The Management Controller shall wait until getting a NC-SI response to that
360 NC-SI command, or for a response timeout, before sending another NC-SI command over MCTP to that
361 NC.

362 **7.4.3 Flow control for NC-SI Pass-through packets.**

363 The NC-SI Pass-through traffic flow control used in RBT is an Ethernet-specific technology that is not well
364 suited to an MCTP transport. An implementation of this specification may support Ethernet flow control,
365 but it will apply only to Ethernet messages (message type – 0x3) and not to messages of NC-SI Control
366 over MCTP type (message type – 0x2). The method used to control the rate of transmission of Ethernet
367 packets is beyond the scope of this specification.

368 **7.5 Interleaving of messages**

369 **7.5.1 Interleaving of MCTP Control and NC-SI messages**

370 According to the MCTP specification [[MCTP](#)], an endpoint shall accept MCTP Control messages that are
371 interleaved among NC-SI Control over MCTP or Ethernet over MCTP message packets. This is to avoid

372 scenarios where functions such as the MCTP bus owner are 'locked out' from managing the MCTP bus
373 because of NC-SI Pass-through traffic.

374 Correspondingly, MCTP Control Message responses shall be able to be interleaved among incoming NC-
375 SI Control over MCTP or Ethernet over MCTP message packet. However, the MCTP Control Message
376 responses may be held up and transmitted between Ethernet Messages, provided that the MCTP
377 command request-to-response timing requirements are met.

378 **7.5.2 Interleaving of NC-SI Control and Ethernet over MCTP messages**

379 NC-SI Control over MCTP and Ethernet over MCTP messages to the same EID shall not be interleaved.
380 Similar to the [DSP0222](#) specification case, NC-SI Control and Ethernet packets are interleaved at the
381 message level. An MC operating with multiple NC may interleave messages sent to different NCs.
382

383 7.6 Ordering rules for NC to MC traffic

384 The following table defines which type of messages should pass other types of packets to avoid
 385 deadlocks. The decisions are done at a message level. Interleaving within messages is defined in the
 386 previous sections. The following behaviors are expected:

- 387 • Yes—the second message (row) shall be allowed to pass the first (column) to avoid deadlock
 388 (When blocking occurs, the second message is required to pass the first message)
- 389 • Y/N—there are no requirements. The second message may optionally pass the first message or
 390 be blocked by it.
- 391 • No—the second message shall not be allowed to pass the first message. This is required to avoid
 392 out of order events.

393

Row Pass Column?	MCTP Control response (Col 1)	NC-SI response (Col 2)	NC-SI AEN (Col 3)	Ethernet Packet (Col 4)
MCTP Control response (Row A)	Y/N	Y/N	Yes	Y/N
NC-SI response packet (Row B)	Y/N	Y/N	Yes	Y/N
NC-SI AEN (Row C)	Y/N	Y/N	No	Y/N
Ethernet packet (Row D)	Y/N	Y/N	Y/N	No

394 **Notes** (The letter and number indicates the row and column in the table above):

395

- 396 • **A1** This situation will occur only in NCs accepting multiple outstanding
 397 MCTP control commands.
- 398 • **B2** This situation will occur only in NCs accepting multiple outstanding NC-
 399 SI commands.
- 400 • **A3, B3** An NC-SI AEN may be blocked if the channel is disabled or the package
 401 deselected. Thus it should not block MCTP Control or NC-SI responses.
- 402 • **C3** AENs should be sent in order of occurrence to avoid cases where the
 403 latest received status is obsolete. For example in the case of a link-down
 404 event followed by a link-up event, the AEN on the link-up event must not
 405 pass the AEN on the link-down event.
- 406 • **D4** Ethernet packets must be sent in order to avoid out-of-order events in
 407 the upper layers.

408 7.7 Assembly requirements

409 According to the interleaving requirements described in subclause 7.5, the NC shall be able to assemble
 410 a single NC-SI Control or Ethernet over MCTP message at a time. The maximum Ethernet packet size is
 411 defined in subclause 9.2. The maximum NC-SI packet size is defined in subclause 9.1.

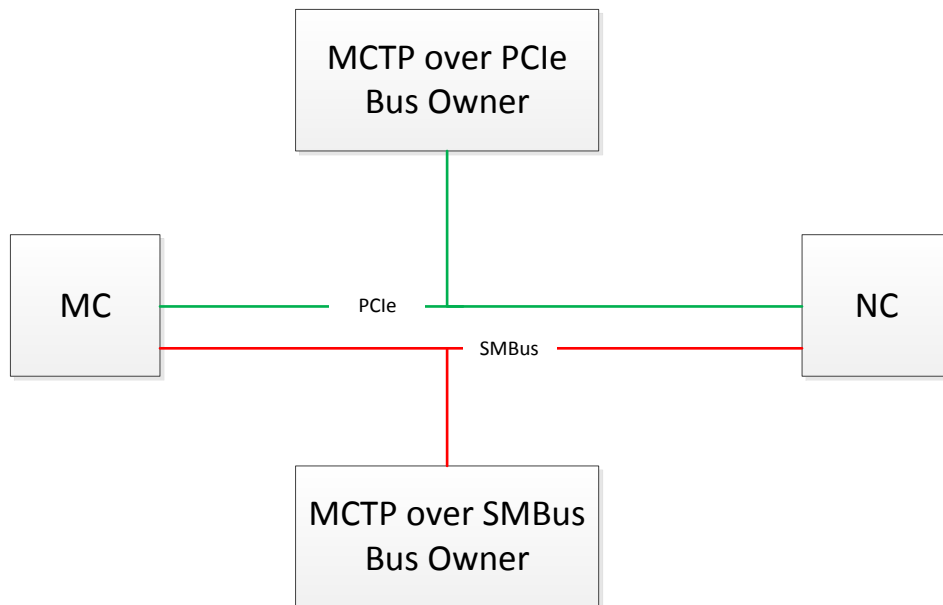
412 Buffering requirements for other message types are not covered in this specification.

413 **7.8 Multiple MCTP transport bindings**

414 In the DSP0222 specification, the channels use a single physical interface all the time. In NC-SI over
 415 MCTP, multiple MCTP transport bindings may be used at different times to convey NC-SI traffic to allow
 416 tradeoffs between data rate and power consumption. The following requirements apply to those MCTP
 417 transport bindings:

- 418 1) NC-SI control messages (identified by MCTP message type 0x2) shall be supported
- 419 2) Ethernet messages (identified by MCTP message type 0x3) may be supported

420 Figure 5 shows an example of multiple MCTP transport bindings using MCTP over PCIe VDM and MCTP
 421 over SMBus. The types of NC-SI over MCTP traffic on each MCTP transport binding may vary as
 422 described above.



423
 424 **Figure 5 – Multiple MCTP transport bindings example**

425 **7.8.1 Supported message types over different MCTP transport bindings**

426 An endpoint may support different MCTP message types over different MCTP transport bindings. For
 427 example, an NC may choose to support Ethernet message type over MCTP PCIe VDM transport only. It
 428 is recommended that an MC initially determines the supported message types on a given medium during
 429 the discovery phase using the Get Supported Message Type MCTP Control command prior to
 430 transmitting MCTP traffic of specific MCTP message type on the medium.
 431

432 7.8.2 MCTP EID and physical address changes.

433 The NC-SI package mapping of the NC or the MC to MCTP EID and/or physical interface address may
434 change due to the following reasons:

- 435 1) Changes in the MCTP transport medium used. For example moving from PCIe to SMBus
436 medium when PCIe becomes unavailable for MCTP communication due to change of
437 power state.
- 438 2) Changes in the EID to physical address mapping. For example when changing medium or
439 during re-enumeration process or in a multifunction PCIe device, if the function of which
440 RID is being used is disabled by the host, the MCTP endpoint may move to another
441 function.

442 In order to avoid breakup of network connections, and in order to avoid the need to reconfigure the NC,
443 the NC-SI connection should be kept alive during the transition. The MC is responsible for the
444 reconnection of the channel in case of address mapping changes. The next clause describes possible
445 flows that may be used to ease the re-discovery of an NC whose address has changed. A flow by which
446 the MC can expose a change of its own address to the NC(s) is described in subclause 7.8.4.

447 According to the [MCTP](#) specification, an MC or NC that has its physical address changed should send an
448 MCTP Discovery Notify command to the bus owner so that the routing tables can be updated.

449 7.8.3 NC discovery flows

450 The MC may use one of the following example flows to discover a NC whose address has changed.

451 7.8.3.1 Full discovery

452 The simplest and most time consuming method is to discover the NC partner by using the standard
453 MCTP discovery method. This method works with NCs that support at least MCTP 1.1 and NC-SI 1.0.

454 The following flow may be used:

- 455 • The MC detects a potential address update condition (for example: power state change, link
456 status change, or re-enumeration) or detects an NC-SI timeout condition (as defined in section
457 6.8.2.1 of [NC-SI](#)).
- 458 • The MC finds all the endpoints in the system by sending an MCTP “Get Routing Table Entries”
459 command to the bus owner and to any bridges in the MCTP network.
- 460 • For each device listed, the MC checks whether it supports the required MCTP message types
461 (NC-SI Control and optionally Ethernet) by using the MCTP “Get Message Type Support”
462 command.

463 For each potential endpoint discovered by using the method above, the MC checks whether it is the
464 original NC partner, for example by sending an “Get Version ID” NC-SI command to the original NC ID
465 and checking the response.

466 7.8.3.2 UUID based discovery

467 This method is based on the usage of the “Resolve UUID” MCTP command.

468 To use this method, the bus owner or bridge must support the “Resolve UUID” MCTP command and the
469 NC must support the “Get Endpoint UUID” MCTP command.

470 The following flow may be used:

- 471 • When the NC-SI channel is first established by using some proprietary method (for example by
472 using the flow from the previous section), the MC may send a “Get Endpoint UUID” MCTP
473 command to the NC. It then keeps the UUID information for future use.
- 474 • MC periodically sends a “Get Routing Table” Command to the bus owner to receive updated
475 endpoints addresses.
- 476 • The NC whose address changes or that wants to move to another active bus sends a “Discovery
477 Notify” MCTP command to the bus owner of the new bus.
- 478 • As part of the routing table update, the bus owner sends a “Get Endpoint UUID” MCTP command
479 to the NC and updates its routing table accordingly.
- 480 • The MC sends a “Resolve UUID” MCTP Command to the bus owner by using the previously
481 saved NC UUID. In response, it gets the list of EIDs matching this UUID.
- 482 • The MC can check if the relevant message types (NC-SI Control and optionally Ethernet) are
483 supported on the new bus by using an MCTP “Get Message Type Support” command.
- 484 • The MC may then send any NC-SI Command to the NC to communicate with the NC on the new
485 medium.

486 7.8.3.3 NC-SI based discovery

487 The NC must support the “Get Supported Media” NC-SI command as defined in clause 10.1 to use this
488 method.

489 The following flow may be used.

- 490 • The MC detects a potential address update condition (for example: power state change, link
491 status change, AEN from the NC, or re-enumeration) or detects a timeout condition on NC-SI (as
492 defined in section 6.8.2.1 of [NC-SI](#)).
- 493 • If the original bus is still available (for example, when transitioning from SMBus to PCIe), it may
494 send on the original bus a “Get Supported Media” NC-SI command. In the response, the NC will
495 provide information on the routing that should be used on the new bus and on the support for
496 Pass-through on this bus.
- 497 • The MC may then send any NC-SI Command to the NC to communicate with the NC on the new
498 medium.

499 This method may not be applicable when there is no active channel that can be used to send the “Get
500 Supported Media” NC-SI command over. In this case, one of the other methods should be used.

501 7.8.4 MC update flow

502 In the case where MC physical address or its MCTP EID changes, it may send an “Enable Channel” NC-
503 SI command to the NC. This command will update the MC EID and physical address used by the NC.

504 7.8.5 Transition between mediums

505 A transition of an NC-SI package from one medium to another can occur due to changes in the available
506 media. For example, a transition from SMBus to PCIe can occur when PCIe becomes available to provide
507 a larger bandwidth.

- 508 A transition of an NC-SI from one medium to another is achieved when the NC is deselected on the first
509 medium and selected on the second medium as described in subclause 7.9.
- 510 The NC may notify the MC about the state of a medium using an AEN.
- 511 1) Potential loss of a medium prior to losing the medium
- 512 2) Availability of a new medium
- 513 The MC may initiate the transition by using MCTP Control and NC-SI Control messages as described in
514 subclause 7.8.5.1.
- 515 A transition can be between mediums with different levels of support of Ethernet MCTP messages.
- 516 When an NC transitions from a medium on which Ethernet messages were supported to a second
517 medium on which Ethernet messages are not supported, the NC should stop sending and receiving
518 Ethernet messages on the first medium after the NC-SI channel had been deselected on the first medium.
- 519 The MC may transition back later to the first medium for communicating Ethernet messages. If the MC
520 transitions back to the first medium supporting Ethernet messages, it may resume communications of
521 Ethernet messages based on the previous configuration. If the configuration was lost during the
522 transitions, the NC shall return to the NC-SI Initial State (as described in section 6.2.4 of [NC-SI](#)).
- 523 Even if NC-SI Pass-through traffic (Ethernet messages) is supported over multiple mediums, Pass-
524 through traffic shall not be transitioned to a new medium before the connection between the MC and the
525 NC is re-established on the new medium. The NC shall support the following flows to initiate a transition
526 to the new medium:
- 527 • If the current medium is still active (for example when moving from SMBus to PCIe to achieve
528 better throughput), the NC shall keep its Pass-through traffic on the original medium (both MC to
529 network and network to MC). The NC shall also send outstanding NC-SI responses on the
530 original medium.
- 531 NOTE The MC can stop the traffic from the NC on the current medium by sending “Disable Channel” and
532 “Disable Channel Network TX” NC-SI commands to all the channels before the transition. In this case, it
533 shall send “Enable Channel” and “Enable Channel Network TX” NC-SI commands to all active channels on
534 the new medium, to allow the traffic to resume.
- 535 • If the current medium is inactive (for example, when moving from PCIe to SMBus due to a power
536 transition), the NC shall stop transferring Ethernet messages. If a packet is being transmitted by
537 the NC when the original medium becomes unavailable, the NC shall not continue the
538 transmission of the packet and the packet may be lost. Outstanding NC-SI responses may be
539 discarded by the NC.
 - 540 • When any NC-SI command is received from the MC on the new medium (apart from “*Deselect*
541 *Package*”), the NC shall move to “Selected” state on the new medium (see subclause 7.9).
 - 542 ○ An NC-SI Rx Pass-through message to the MC on the current medium shall be
543 completed by the NC on the current medium and only after that shall the NC send the
544 NC-SI response to the MC on the new medium.
 - 545 ○ The next Pass-through message sent to the MC after a successful response to the NC-SI
546 command shall be sent on the new medium.
 - 547 • The NC shall accept Pass-through traffic from the MC on the new medium after the NC moves to
548 “Selected” state on the new medium and sends the first successful NC-SI response.
 - 549 • The same algorithm as described above shall be used for the selection of the medium to use for
550 sending NC-SI AEN messages to the MC.

551 An NC that uses multiple MCTP transport bindings should support at least one of the UUID based
552 recovery or the NC-SI based recovery methods in addition to the Full Discovery mechanism.

553 7.8.5.1 MC transition flow

554 The MC can initiate a transition between mediums for one of the following reasons.

- 555 1) Loss of medium for NC-SI over MCTP communications. For example, system transitioning
556 into a low power state may make PCIe medium unavailable for NC-SI over MCTP
557 communications over PCIe VDM transport.
- 558 2) Reception of an AEN from the NC notifying a medium state change. For example, an NC
559 may notify the MC about the potential loss of the PCIe medium, triggering a transition to
560 SMBus.

561 The following flow can be used by the MC to initiate a transition between mediums:

- 562 • If the current medium is still active (for example when moving from SMBus to PCIe to achieve
563 better throughput), the MC can keep its traffic on the original medium until it discovers the NC by
564 using one of the flows described in subclause 7.8.3. If the current medium is inactive (for
565 example, when moving from PCIe to SMBus due to a power transition), the MC will stop
566 transferring Ethernet messages with NC until discovery of the NC.
- 567 • The MC can then send an “Enable Channel” NC-SI Command, or any other command to the NC
568 to select it on the new medium. The MC will then wait for the NC response before starting to send
569 packets on the new medium. The MC will complete transmission of the current Ethernet message
570 before sending the command and will not send Ethernet messages while waiting for the
571 response. The MC will accept Ethernet message on the original medium until the response from
572 the NC is received on the current medium.
- 573 • If Pass-through is supported by the NC over only a single medium, when transitioning out of this
574 medium, the MC will not send Pass-through traffic to the NC and will not expect to receive traffic
575 from the NC.
- 576 • If a medium becomes unavailable while an MC waits for an NC-SI command response, it can
577 assume the command was lost and retry it on the new medium.

578 7.9 Package selection

579 The “Selected” state of an NC-SI package is defined for each of the MCTP transports to which it can bind.
580 A package can be selected only on a single MCTP medium at a given point of time.

581 As in DSP0222, a package is selected by reception of a “Select Package” on the MCTP medium or any
582 other command except “Deselect Package”.

583 A package is deselected on a specific MCTP medium by reception of a “Deselect Package” command,
584 selection of the package on another medium or if the physical medium on which it operate becomes
585 unavailable. If the packet is deselected by an NC-SI command it should move to the deselected state only
586 after sending a response to the command.

587 A package is allowed to send Ethernet messages or NC-SI Control messages on an MCTP medium only
588 if in the “Selected” state on that medium.

589 An NC should use the source EID and source physical address received from the last received NC-SI
590 command to respond to this command and as the destination of subsequent Ethernet messages. If a
591 command is received during the transmission of an Ethernet message, the destination should change
592 only at the beginning of the next message.

593 The channel selection state and all other NC-SI configurations may be kept during the transition from one
 594 medium to another. If the configuration is altered during the transition, the NC shall return to Initial State.

595 **8 Supported NC-SI commands**

596 The supported NC-SI commands when bound to MCTP is a subset of the commands in [DSP0222](#)
 597 specification. The subset of supported commands varies according to the supported messages as
 598 indicated in the response to the Get Message Type Support MCTP Control command. If only the NC-SI
 599 Control message type is supported, the commands related to the Pass-through traffic control are not
 600 supported. If both the NC-SI Control and Ethernet message types are supported, these commands are
 601 supported. Table 2 lists the supported commands according to the supported message types.

602 Optional commands may have different implementation over different media.

603

604

Table 2 – Supported NC-SI commands

Command Type	Command Name	Description	Response Type	Command Support Requirement NC-SI Control Messages Only	Command Support Requirement NC-SI Control and Ethernet Messages
0x00	Clear Initial State	Used by the Management Controller to acknowledge that the Network Controller is in the Initial State	0x80	M	M

Command Type	Command Name	Description	Response Type	Command Support Requirement NC-SI Control Messages Only	Command Support Requirement NC-SI Control and Ethernet Messages
0x01	Select Package	Used to explicitly select a controller package to transmit packets through the NC-SI interface	0x81	O3	O ³
0x02	Deselect Package	Used to explicitly instruct the controller package to stop transmitting packets through the NC-SI interface	0x82	O ³	O ³
0x03	Enable Channel	Used to enable the NC-SI channel and to start the forwarding of bidirectional Management Controller packets	0x83	M	M
0x04	Disable Channel	Used to disable the NC-SI channel and to stop the forwarding of bidirectional Management Controller packets	0x84	M	M
0x05	Reset Channel	Used to synchronously put the Network Controller back to the Initial State	0x85	M	M
0x06	Enable Channel Network TX	Used to explicitly enable the channel to transmit Pass-through packets onto the network	0x86	N/A	M
0x07	Disable Channel Network TX	Used to explicitly disable the channel from transmitting Pass-through packets onto the network	0x87	N/A	M
0x08	AEN Enable	Used to control generating AENs	0x88	C	C
0x09	Set Link	Used during OS absence to force link settings, or to return to auto-negotiation mode	0x89	O	M
0x0A	Get Link Status	Used to get current link status information	0x8A	O	M
0x0B	Set VLAN Filter	Used to program VLAN IDs for VLAN filtering	0x8B	N/A	M
0x0C	Enable VLAN	Used to enable VLAN filtering of Management Controller RX packets	0x8C	N/A	M
0x0D	Disable VLAN	Used to disable VLAN filtering	0x8D	N/A	M
0x0E	Set MAC Address	Used to configure and enable unicast and multicast MAC address filters	0x8E	N/A	M
0x10	Enable Broadcast Filtering	Used to enable full or selective broadcast packet filtering	0x90	N/A	M

Command Type	Command Name	Description	Response Type	Command Support Requirement NC-SI Control Messages Only	Command Support Requirement NC-SI Control and Ethernet Messages
0x11	Disable Broadcast Filtering	Used to disable all broadcast packet filtering, and to enable the forwarding of broadcast packets	0x91	N/A	M
0x12	Enable Global Multicast Filtering	Used to disable forwarding of all multicast packets to the Management Controller	0x92	N/A	C
0x13	Disable Global Multicast Filtering	Used to enable forwarding of all multicast packets to the Management Controller	0x93	N/A	C
0x14	Set NC-SI Flow Control	Used to configure IEEE 802.3 flow control on NC-SI	0x94	N/A	O
0x15	Get Version ID	Used to get controller-related version information	0x95	M	M
0x16	Get Capabilities	Used to get optional functions supported by the NC	0x96	M ¹	M
0x17	Get Parameters	Used to get configuration parameter values currently in effect on the controller	0x97	M ²	M
0x18	Get Controller Packet Statistics	Used to get current packet statistics for the Network Controller	0x98	O	O
0x19	Get NC-SI Statistics	Used to request the packet statistics specific to the NC-SI interface	0x99	O	O
0x1A	Get NC-SI Pass-through Statistics	Used to request NC-SI Pass-through packet statistics	0x9A	N/A	O
0x1B	Get Supported Media	Used to return the media on which NC-SI can run and routing information for each medium.	0x9B	O	O
0x50	OEM Command	Used to request vendor-specific data	0xD0	O	O

Key: M = Mandatory (required)
O = Optional
C = Conditional (see command description)
N/A = Not applicable

1. The only part of the response that is relevant is the AEN control support field.
2. The only part of the response that is relevant is the Link Settings, AEN control fields and the Channel Enabled flag in the Configuration Flags.
3. The 'Select Package' and 'Deselect Package' commands impact only transmission of NC-SI Control and Ethernet over MCTP message types and do not impact other MCTP message types.

605 **9 Message types**

606 The MC and the NC shall support the NC-SI over MCTP message type (0x02). The Ethernet message
607 type should be supported if NC-SI Pass-through traffic is expected on this interface.

608 **9.1 NC-SI message type (0x02)**

609 This message type is used to carry NC-SI Control packets that are identified by the NC-SI Ethertype in
610 the DSP0222 specification. This includes command, response, and AEN packets.

611 The maximum NC-SI message payload size is 1500 bytes to keep the same limit as in [NC-SI](#). This
612 includes the payload starting from the MC ID field.

613 **9.1.1 Encapsulation**

614 The encapsulation of NC-SI Control packets includes the packet as described in the Control packet data
615 structure of [DSP0222](#) specification encapsulated in an MCTP header. NC-SI messages may be
616 fragmented to multiple MCTP packets.

617 NOTE The Control packets frames in DSP0222 uses a DA, SA, and Ethertype MAC header. The DA and SA part
618 do not contain any useful data and the Ethertype is used to differentiate between Control packets and Ethernet traffic.
619 In NC-SI over MCTP, this Ethernet framing is not used, as the differentiation is achieved through usage of different
620 message types.

621

622 **Table 3 –NC-SI messages encapsulation**

Bytes	+0				+1				+2				+3															
	7	6	5	4	3	2	1	0	7	6	5	4	3	2	1	0	7	6	5	4	3	2	1	0				
00..03	RSVD				Header Version				Destination Endpoint ID				Source Endpoint ID				S	E	Pkt	T	Message	O	O	seq #	O	Tag	M	M
04..07	IC	Message Type			MC ID				Header Revision				Reserved				0											
08..11	IID				Command				Channel ID				Reserved		Payload Len													
12..15	Payload Length				Reserved				Reserved																			
16..19	Reserved				Reserved				Reserved																			
20..23	Reserved				Control Packet Payload				Control Packet Payload																			
...	...				Control Packet Payload				Payload Padding (as required)																			
...	Payload Padding (as rqr)				Checksum 3:1																							
...	Checksum 0																											

623

624 See [NC-SI](#) for details of the NC-SI Control packets format.

625 The following tables describe the value for the various fields of the message whose description differs
626 from the description in the MCTP or NC-SI specification.

627

Table 4 - MCTP Transport Header fields

Field Name	Field Size	Value	Comment
Tag Owner (TO)	1 bit	Varies	Indicates that the Tag field value was generated by the message source = 0b Tag not from message source = 1b Tag from message source. Should be set for Commands and AEN packets. Should be cleared for Response packets.
Msg Tag	3 bits	Varies	The Tag field shall be set by the source of the message.

628

Table 5 – MCTP Specific Message Header field

Field Name	Field Size	Value	Comment
IC Bit	1 bit	0b	NC-SI over MCTP does not define message integrity check as it relies on the MCTP packet integrity check provided by the underlying medium or checks that are encapsulated in the message payload. This field is present only in the first packet of a message (SOM = 1).
Message Type	7 bits	0x02	Identifies the MCTP message type as an NC-SI Control over MCTP message. This field is present only in the first packet of a message (SOM = 1).

629 9.1.2 Version

630 The version that shall be reported for this message type in the Get MCTP Version Support response is
631 0xF1F0F000 (1.0.0)

632 9.2 Ethernet message type (0x03)

633 This message type is used to carry NC-SI Pass-through packets. Ethernet messages may be fragmented
634 to multiple MCTP packets.

635 The nominal Ethernet message size that shall be supported is 1518 bytes to accommodate a full Ethernet
636 packet including a VLAN but without FCS. If additional L2 tags are expected (for example, MACSec), the
637 supported packet size shall increase accordingly.

638 9.2.1 Encapsulation

639 The encapsulation of Ethernet packets includes the entire Ethernet frame from the Source MAC address
640 to the end of the payload, not including the FCS, prefixed with an MCTP header.

641 NOTE In [NC-SI](#), the FCS was required as part of the Ethernet encapsulation used over RMII. When Ethernet
642 packets are sent over other mediums, the medium specific error recovery mechanisms are used and the FCS is not
643 required.

644 The FCS should be added by the NC for packets sent by the MC to the network and should be checked
645 and removed by the NC for packets received from the network to the MC. Packets with a wrong FCS
646 should not be forwarded to the MC.

647 This behavior is consistent with the FCS offload provided by NCs to the host OS.

648

Table 6 – Ethernet messages encapsulation

Bytes	+0				+1				+2				+3															
	7	6	5	4	3	2	1	0	7	6	5	4	3	2	1	0	7	6	5	4	3	2	1	0				
00..03	RSVD				Header Version				Destination Endpoint ID				Source Endpoint ID				S	E	Pkt	T	Message	O	O	seq #	O	Tag	M	M
04..07	IC	Message Type			Destination Address 5:3																							
08..11	Destination Address 2:0											Source Address 5																
12..15	Source Address 4:1																											
16..	Source Address 0				Optional L2 tags																							
...	Optional L2 tags				Ethertype								Ethernet Payload															
...	Ethernet Payload (no FCS)																											

649

650 The following tables describe the value for the various fields of the message whose description differs
 651 from the description in the MCTP or NC-SI specification.

652

Table 7 - MCTP Transport Header fields

Field Name	Field Size	Value	Comment
Tag Owner (TO)	1 bit	1b	Indicates that the Tag field value was generated by the message source = 0b Tag not from message source = 1b Tag from message source Should be set for all packets
Msg Tag	3 bits	Varies	The Tag field shall be set by the source of the message.

653

Table 8 – MCTP Specific Message Header field

Field Name	Field Size	Value	Comment
IC Bit	1 bit	0b	NC-SI over MCTP does not define a message integrity check because it relies on the MCTP packet integrity check provided by the underlying medium or checks that are encapsulated in the message payload. This field is present only in the first packet of a message (SOM = 1).
Message Type	7 bits	0x03	Identifies the MCTP message type as an Ethernet over MCTP message. This field is present only in the first packet of a message (SOM = 1).

654 **9.2.2 Version**

655 The version that shall be reported for this message type in the Get MCTP Version Support response is
 656 0xF1F0F000 (1.0.0)

657 **10 NC-SI support specific to MCTP transport**

658 The following command and AEN may be implemented as part of this specification to allow an
 659 implementation of the discovery flow described in clause 7.8.3.3.

660 **10.1 Get Supported Media Command (0x51)**

661 This command is used to query a device about the Media on which NC-SI can be conveyed. This
 662 command is optional and is applicable only if more than one media is supported.

663 The Get Supported Media command is addressed to the package, rather than to a particular channel (that
 664 is, the command is sent with a Channel ID where the Package ID subfield matches the ID of the intended
 665 package and the Internal Channel ID subfield is set to 0x1F).

666 Table 9 illustrates the packet format of the Get Supported Media command.

667 **Table 9 – Get Supported Media Command Packet Format**

Bytes	Bits			
	31..24	23..16	15..08	07..00
00..15	NC-SI Header			
16..19	Checksum			
20..45	Pad			

668 **10.2 Get Supported Media Response (0xD1)**

669 In the absence of any error, the package shall process and respond to the Get Supported Media
 670 command by sending the response packet and payload shown in Table 10.

671 **Table 10 – Get Supported Media Response Packet Format**

Bytes	Bits			
	31..24	23..16	15..08	07..00
00..15	NC-SI Header			
16..19	Reserved			Number of medias supported
20..	Media descriptors as described in Table 11. The number of media descriptors is according to the Number of medias supported field value.			
...	Checksum			
...	Pad			

672

673

Table 11 – Get Supported Media Response media descriptors format

Byte	Description
0	EID. Should be 0x0 if Physical Medium Identifier is RBT.
1	Physical Transport Binding Identifier, according to MCTP ID specification (DSP0239). Should be 0x0 if Physical Medium Type Identifier is RBT.
2	Physical Medium Identifier, according to MCTP ID specification (DSP0239). This value is used to indicate what format the following physical address data is given in.
3.0	NC-SI Pass-through is supported. 0: NC-SI Pass-through is not supported over this medium. 1: NC-SI Pass-through is supported over this medium.
3.6:1	Reserved
3.7	Status 0: Medium is not available. 1: Medium is available.
4	Physical Address Size. Should be 0x0 if Physical Medium Identifier is RBT.
5:N	Physical Address. This field is not present if Physical Medium Identifier is RBT. If present, this field is valid only if the Status bit is set and its value is unspecified otherwise.

674 **10.3 Medium Change AEN**

675 The Medium change AEN is used to alert the MC that there was a status change in one of the media
676 supported by the NC.

677 This AEN should be sent if any change occurred in the status of one of the media supported by the
678 device. For example, if while working over SMBus, the PCIe bus becomes available, this AEN should be
679 sent. The media descriptors field reproduces the bit definitions defined in the Get Supported Media
680 Response (Table 11).

681

Table 12 – Medium change AEN format

Bytes	Bits			
	31..24	23..16	15..08	07..00
00..15	NC-SI Header			
16..19	Reserved			AEN Type = 0x70
20..23	Reserved			Number of Medias supported.
24..	Media descriptors			
...	Checksum			
...	Pad			

682
683
684

ANNEX A (informative) Notation and conventions

685 A.1 Notations

686 Examples of notations used in this document are as follows:

- 687 • 2:N In field descriptions, this will typically be used to represent a range of byte offsets
688 starting from byte two and continuing to and including byte N. The lowest offset is on
689 the left; the highest is on the right.
- 690 • (6) Parentheses around a single number can be used in message field descriptions to
691 indicate a byte field that may be present or absent.
- 692 • (3:6) Parentheses around a field consisting of a range of bytes indicates the entire range
693 may be present or absent. The lowest offset is on the left; the highest is on the right.
- 694 • [PCIe](#) Underlined, blue text is typically used to indicate a reference to a document or
695 specification called out in "Normative references" clause or to items hyperlinked within
696 the document.
- 697 • rsvd This case-insensitive abbreviation is for "reserved."
- 698 • [4] Square brackets around a number are typically used to indicate a bit offset. Bit offsets
699 are given as zero-based values (that is, the least significant bit [LSb] offset = 0).
- 700 • [7:5] This notation indicates a range of bit offsets. The most significant bit is on the left; the
701 least significant bit is on the right.
- 702 • 1b The lowercase "b" following a number consisting of 0s and 1s is used to indicate the
703 number is being given in binary format.
- 704 • 0x12A A leading "0x" is used to indicate a number given in hexadecimal format.

705

706
707
708
709

ANNEX B (informative)

Change log

Version	Date	Description
1.00	2013-08-22	

710