



PLDM CXL Memory Modeling review

Proposed update to DSP2067
January 23, 2024



Disclaimer

- The information in this presentation represents a snapshot of work in progress within the DMTF.
- This information is subject to change without notice. The standard specifications remain the normative reference for all information.
- For additional information, see the DMTF website.
- This information is a summary of the information that will appear in the specifications. See the specifications for further details.



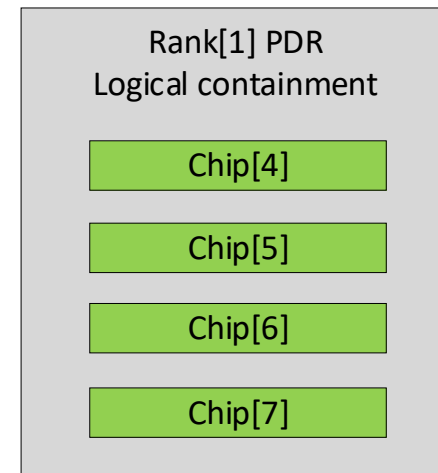
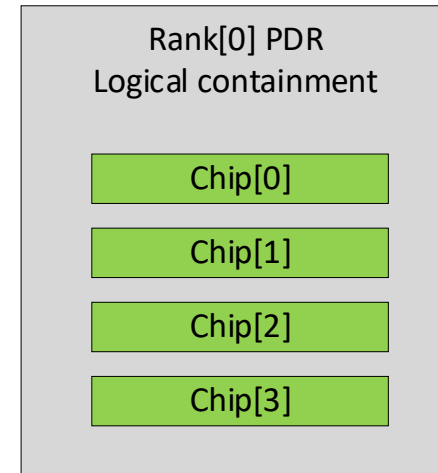
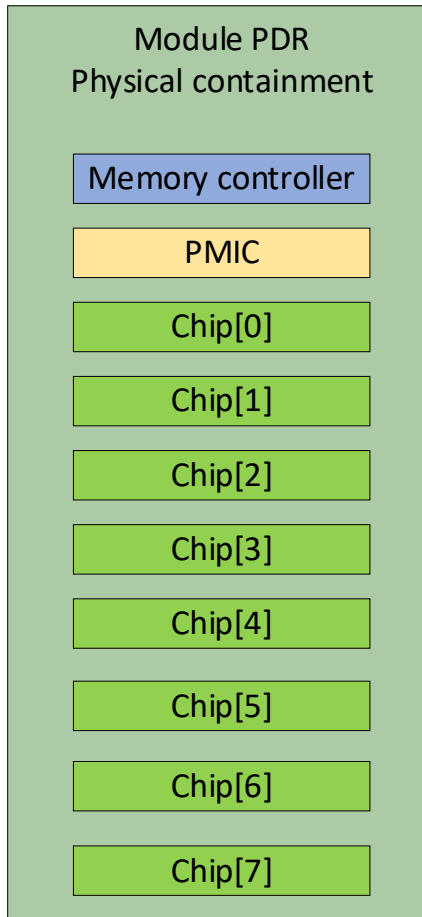
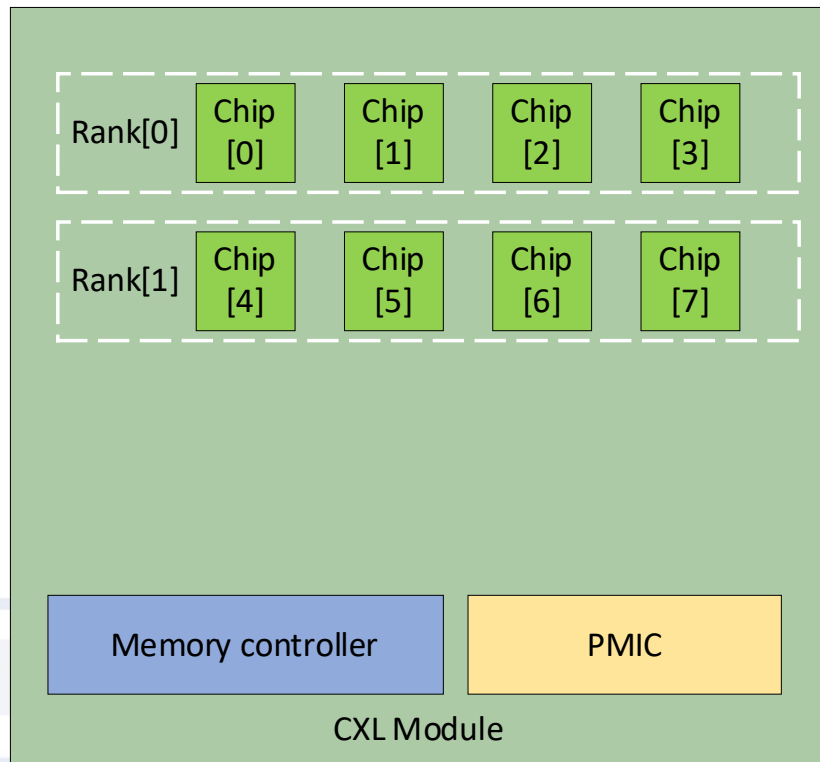
PLDM CXL Memory Modeling (DSP2067) White Paper

- PLDM Type 2 model
- The model addresses CXL module and DIMM memory modules
- When the memory storage is composed of DIMM modules then the model is adjusted as shown in the following diagrams





Direct-Mount CXL module PLDM model hierarchy





DIMM based CXL module PLDM model hierarchy

